

## CHICAGO FAUCETS LIMITED WARRANTY TO WHOM DOES THIS WARRANTY APPLY?

-- The Company extends the following limited warranty to the original user only.

## WHAT DOES THIS WARRANTY COVER AND HOW LONG DOES IT LAST?

This warranty covers the following Commercial Products:

### LIFETIME FAUCET WARRANTY

-- The "Faucet," defined as any metal cast, forged, stamped or formed portion of the Product, not including electronic or moving parts or other products separately covered by this Limited Warranty or water restricting components or other components, is warranted against material manufacturing defects for the life of the Product.

### FIVE YEAR FAUCET WARRANTY

-- Certain Products and portions of the Product are warranted against material manufacturing defects for a period of five (5) years from the date of Product purchase. Products warranted against material manufacturing defects for a period of five (5) years from the date of Product purchase are referred to by the product numbers 42X, 43X, 15XX and E-Tronic® - 4X, 5X, 6X, 7X, 8X and 9X.

All zinc die cast portions of Product are warranted against material manufacturing defects for a period of five (5) years from the date of Product purchase.

### THREE YEAR ELECTRONICS WARRANTY

-- Electronic components, including the solenoid, are warranted for three (3) years from the date of installation.

### FIVE YEAR CARTRIDGE WARRANTY

-- The "Cartridge", defined as the metal portion of any Product typically referred to by the product numbers containing 1-099, 1-100, 1-310, 377X, 217X and 274X, excluding any rubber or plastic components, is warranted against material manufacturing defects for a period of five (5) years from the date of Product purchase. All Cartridges included in the Company's Single Control or Shower Products also are warranted against material manufacturing defects for a period of five (5) years from the date of Product purchase.

### ONE YEAR FINISH WARRANTY - COMMERCIAL

-- For Products used in commercial applications, the finish of the Product is warranted against material manufacturing defects for a period of one (1) year from the date of Product purchase.

### OTHER WARRANTIES

-- All other Products not covered above are warranted against material manufacturing defects for a period of one (1) year from the date of Product purchase. Other restrictions and limitations apply. For complete warranty details, call Chicago Faucets Customer Service at **847-803-5000** or visit **chicagofaucets.com**.

## A HELPFUL TOOLS

Description: Single Handle Lavatory Faucet

Adjustable wrench



Screwdriver



Flashlight



Teflon tape

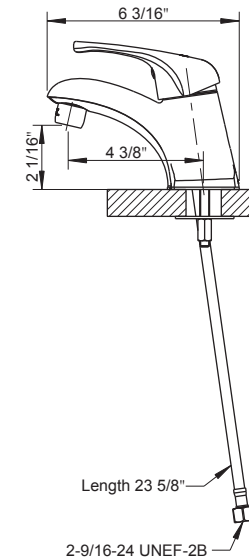
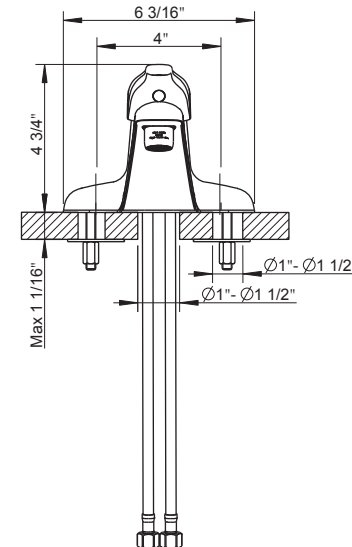


### ⚠ Notice to the installer

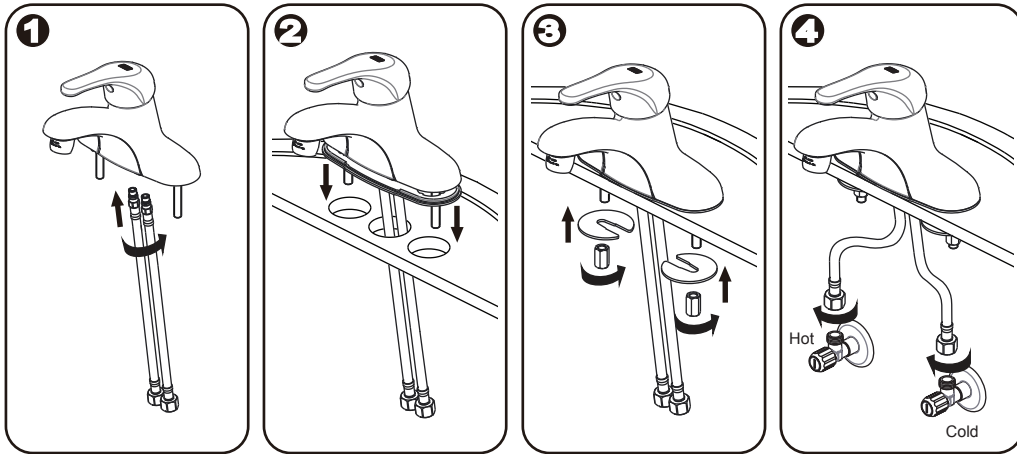
- Make sure there is enough space and lighting available during installation and service
- Do not modify or convert this Chicago Faucets product yourself. All warranties will be voided. Pressurized plumbing fixtures shall be installed in accordance with manufacturer's recommendations. The supply piping to these devices shall be securely anchored to the building structure to prevent installed device from unnecessary movement when operated by the user. Care shall be exercised when installing the device to prevent marring the exposed surface.
- NOTE: The information in this manual is subject to change without notice.
- Please leave this manual with the facility manager after completing the faucet installation. This document contains information necessary for routine maintenance and servicing.
- NOTE: Before installation, turn off water supplies to existing faucet and remove faucet if replacing. Clean faucet basin and clear away debris. Flush all supply lines before connecting to faucet. Failure to do so can result in debris clogging the inlets and/or cartridges.
- NOTE: Before installing a new ceramic cartridge flush lines completely.

## B INSTALLATION DIMENSIONS

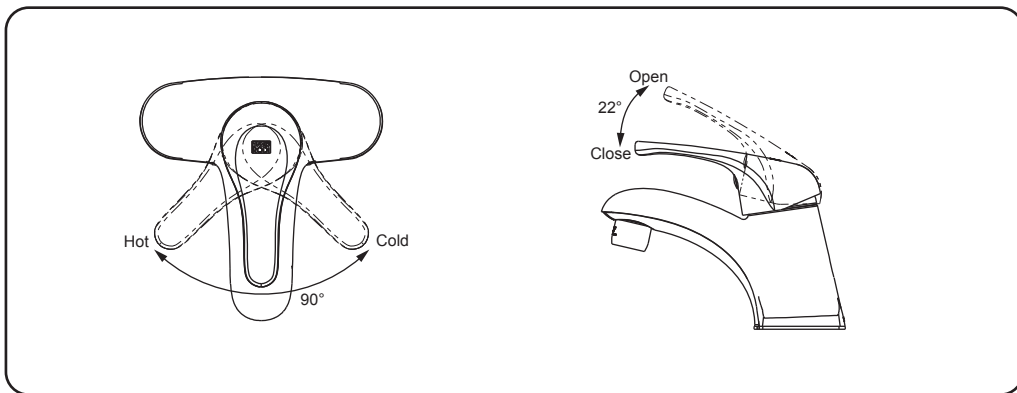
Unit: inch



## C INSTALLATION STEPS



## D FAUCET OPERATION



## E SPECIFICATIONS

**GB** This technical product information is exclusively for the installer or trained specialists. Please pass these instructions on to the user.

**Application:**  
Operation with unpressurized storage heaters is not possible.  
Use for indoor public restrooms.

**Specifications**  
Flow pressure: min. 10 psi – recommended 20 – 100 psi  
Operating pressure: max. 125 psi  
Test pressure: 60 psi  
Flow rate at 60 psi flow pressure for basin: 0.5 gpm  
Hot water inlet temperature: max. 90°C  
Recommended (energy saving): 60°C  
Environment temperature: 5°C ~ 45°C

If static pressure exceeds 100 psi, a pressure-reducing valve must be fitted.

Avoid major pressure differences between hot and cold water supply.

**Installation:**  
Flush piping system before and after installation of fitting thoroughly!  
The installation of a thermostatic mixing valve (TMV) with this faucet is recommended.

**Function:**  
Check connections for leaks and check function of fitting.

**Maintenance:**  
Inspect and clean all components and replace if necessary.  
Shut off water supply for maintenance work.

When installing the cartridge, ensure that the seals are correctly seated.  
Tighten the screws evenly and alternately.

Replacement parts: see exploded drawing.  
Care: see Care Instructions.

## F MAINTENANCE

Always turn water OFF before removing or disassembling the faucet. Open faucet handles to relieve water pressure and insure that complete water shut-off has been accomplished.

### CAUTION:

To keep the surface clean and bright, please clean the faucet regularly, following these procedures:

- Clean the surface of the faucet with mild soap and warm water.  
Use a soft cloth only, never an abrasive cloth or scrubbing pad.  
Never use cleaners containing abrasive cleansers, ammonia, bleach, acids, waxes, alcohol, solvents or other  products not recommended for chrome.
- After cleaning, use rinsing water to clean all cleanser immediately and dry with a soft cotton cloth.
- Carefully dismantle the aerator regularly, rinse under clean running water until any loose debris is cleared.

## G SAFETY INFORMATION

Read this entire user guide to ensure proper installation. Compliance and conformity to local codes and ordinances is the responsibility of the installer. The following safety notes must always be complied with during handling of this product:

- Make sure there is enough space and lighting available during installation and service.
- Do not modify or convert this Chicago Faucets product yourself. All warranties will be voided.