

CHICAGO FAUCETS
a Geberit company

2100 South Clearwater Drive
Des Plaines, IL 60018
Phone: 847-803-5000
Fax: 847-803-5454
www.chicagofaucets.com

REPAIR PARTS

BY: JAR DATE: 11-27-07

CHK: *[Signature]* REV:

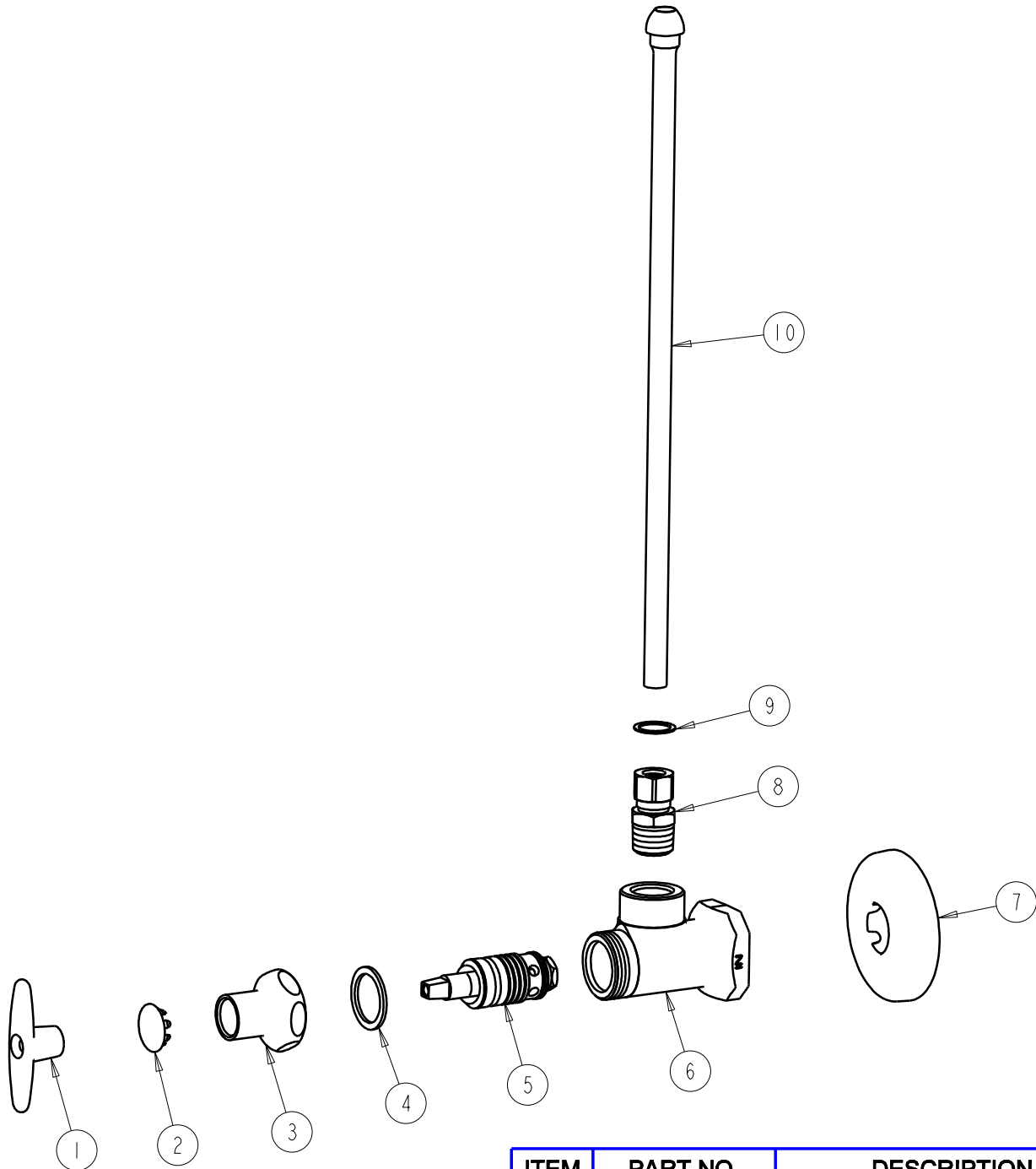
FITTING NO.

1017-MMCP

SUBMITTED MODEL NO.

ITEM NO.

FOR TECHNICAL ASSISTANCE
1-800-TEC-TRUE (1-800-832-8783)



ITEM	PART NO.	DESCRIPTION
1	293-006JKRCF	HANDLE, TEE INCLUDES SCREW
2	1-144JKCP	BUTTON
3	1-246JKCP	LOOSE KEY CAP
4	1-343JKNF	GASKET
5	217-XMLHJKNF	L.H. SLO-COMP. METAL/METAL UNIT
6	---	BODY 1/2 INLET X 3/8 OUTLET
7	749-016JKCP	FLANGE
8	1022-007JKRCF	COMP. FITTING 3/8 TUBE X 3/8 NPT
9	250-027JKRBF	BRASS WASHER
10	1016-001JKRCF	FLEXIBLE TUBE 3/8 X 11-7/8