

# PARTS LIST

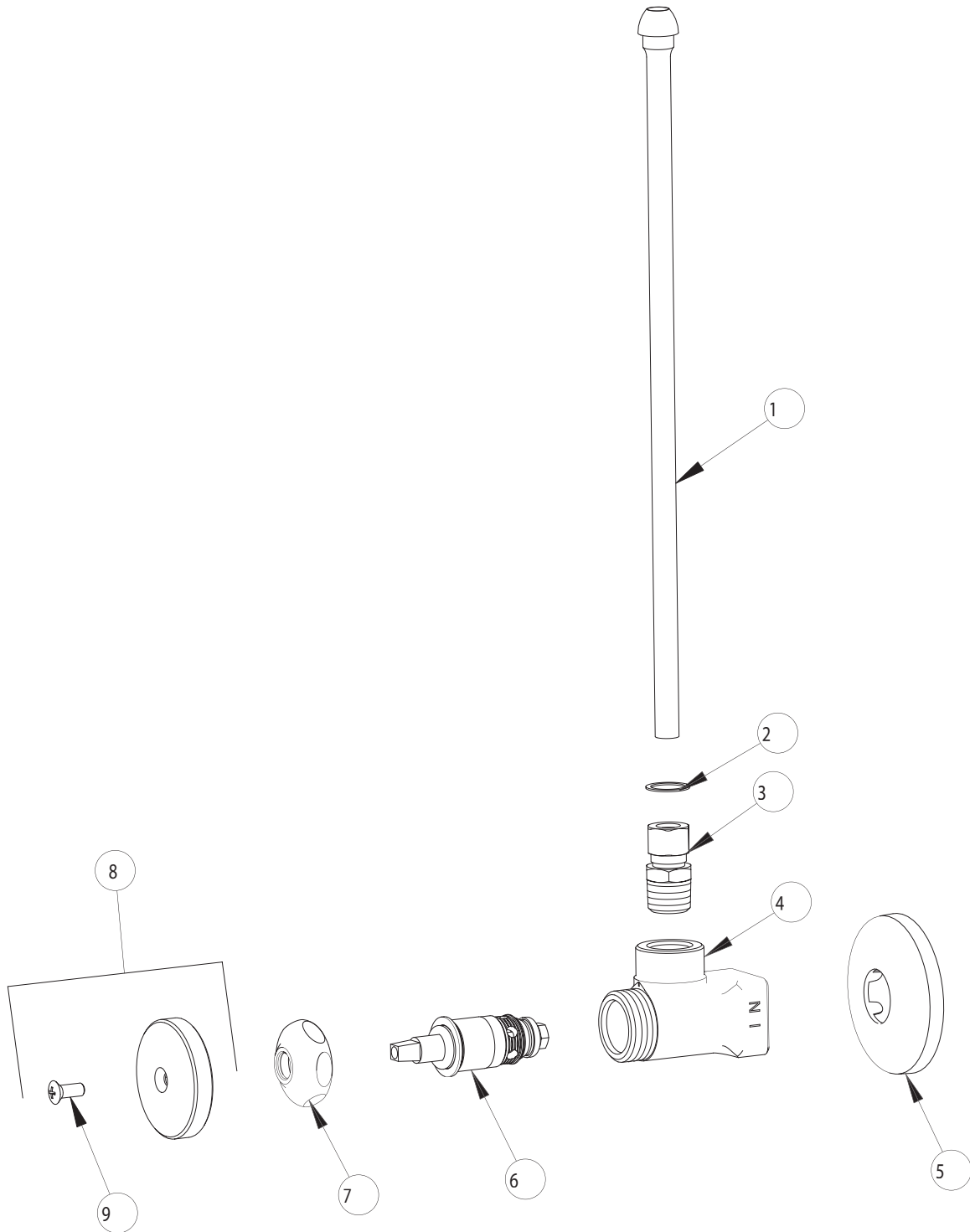
BY: SID  
CHK'D:



FINISH:  
DATE:

AS SPECIFIED  
11-02-01

1019



ITEM NO.	PART NO.	DESCRIPTION	ITEM NO.	PART NO.	DESCRIPTION
1	1016-001	SUPPLY TUBE	6	217XTLH	SLO-COMPRESSION UNIT (LH)
2	250-027	BRASS WASHER	7	1-214	CAP
3	-----	COMPRESSION FITTING	8	318	WHEEL HANDLE ASSEMBLY
4	-----	VALVE BODY (NOT SOLD SEPARATELY)	9	420-010	SCREW
5	749-016	WALL FLANGE			