

CHICAGO FAUCETS
a Geberit company

2100 South Clearwater Drive
Des Plaines, IL 60018
Phone: 847-803-5000
Fax: 847-803-5454
www.chicagofaucets.com

REPAIR PARTS

FITTING NO.

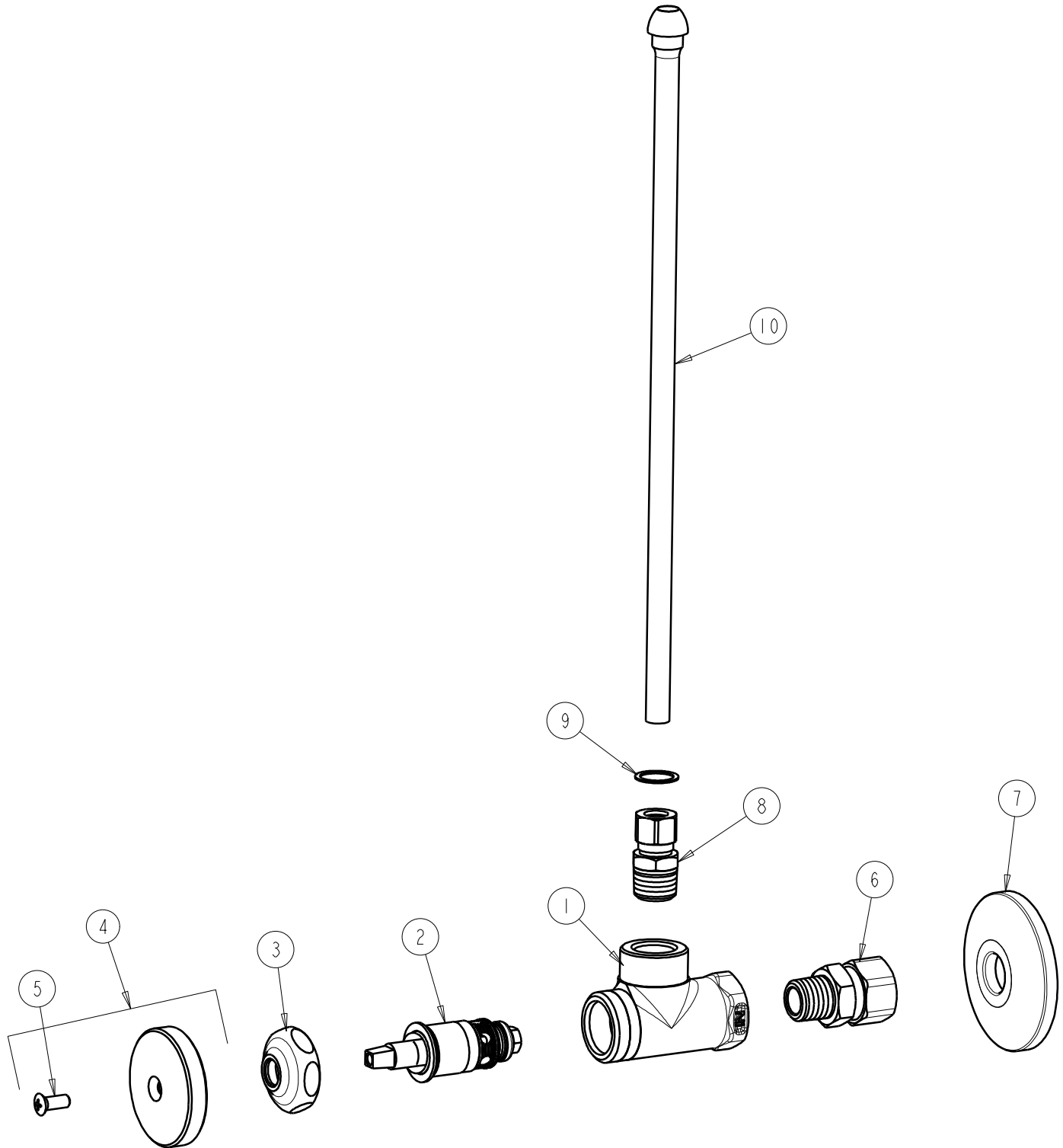
1028-CP

SUBMITTED MODEL NO.

ITEM NO.

FOR TECHNICAL ASSISTANCE
1-800-TEC-TRUE (1-800-832-8783)

BY: SID DATE: 02-12-09
CHK: *[Signature]* REV:



ITEM	PART NO.	DESCRIPTION	ITEM	PART NO.	DESCRIPTION
1	---	VALVE BODY (NOT SOLD SEPERATELY)	6	1022-005JKRCF	COMPRESSION FITTING
2	217-XTLHJKNF	CARTRIDGE, SLO-COMPRESSION	7	1022-004JKNF	FLANGE
3	1-214JKCP	CAP	8	1022-007JKRCF	COMP. FITTING 3/8 TUBE X 3/8 NPT
4	318-JKCP	WHEEL HANDLE	9	250-027JKRBF	BRASS WASHER
5	420-010JKRCF	SCREW, 10-32 UNC PH 1/2	10	1016-001JKRCF	FLEXIBLE TUBE 3/8 X 11-7/8