



a Geberit company

2100 South Clearwater Drive  
Des Plaines, IL 60018  
Phone: 847-803-5000  
Fax: 847-803-5454  
www.chicagofaucets.com

**FOR TECHNICAL ASSISTANCE**  
1-800-TEC-TRUE (1-800-832-8783)

# REPAIR PARTS

BY: JAR      DATE: 06-24-14

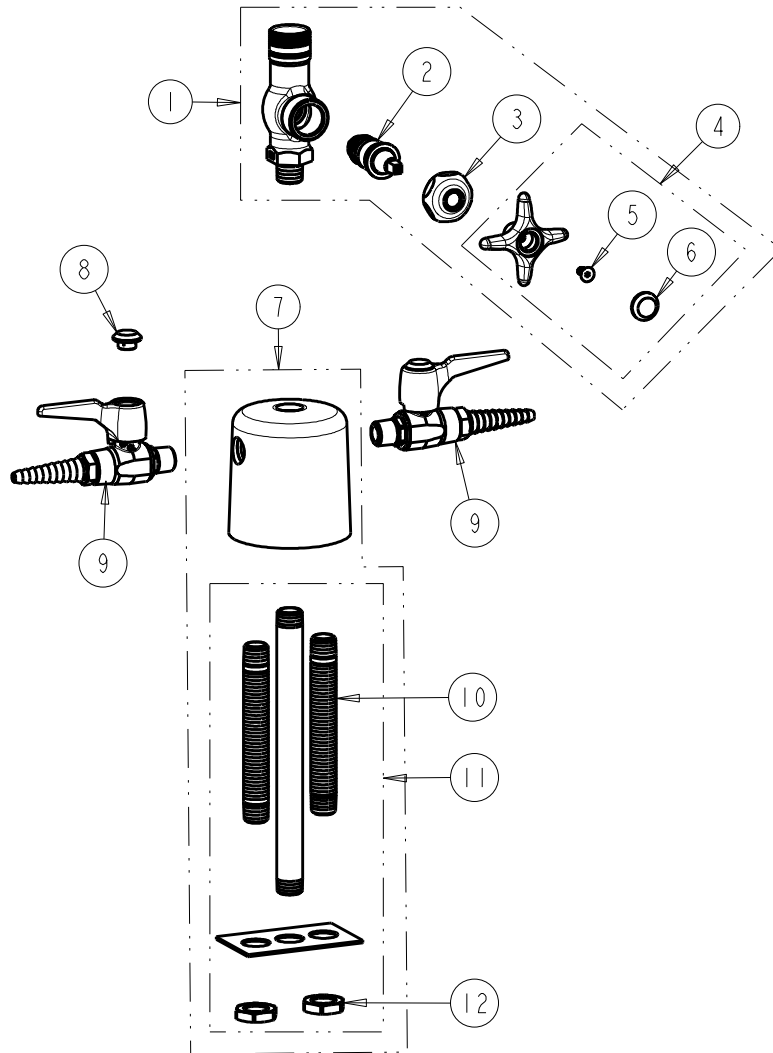
CHK: *JAR*      REV:

FITTING NO.

**1301-LES**

SUBMITTED MODEL NO.

ITEM NO.



ITEM	PART NO.	DESCRIPTION	ITEM	PART NO.	DESCRIPTION
1	937-225-5CP	WATER COCK	7	1301-SBJKCP	TURRET
2	217-XTLHJKABNF	CARTRIDGE, SLO-COMPRESSION (LH)	8	216-328JKNF	BUTTON 'GAS'
3	1-214JKCP	CAP	9	909-LEB	BALL VALVE
4	204-CWJKCP	HANDLE ASSEMBLY (CW)	10	957-003JKABRBF	MALE THREAD SHANK
5	420-020JKNF	SCREW, 1/8 FLAT HEX HEAD X 1/2	11	1301-SB1KJKRBF	SHANK ASSEMBLY
6	216-178JKNF	BUTTON 'CW'	12	705-008JKRBF	NUT