

CHICAGO FAUCETS
a Geberit company

2100 South Clearwater Drive
Des Plaines, IL 60018
Phone: 847-803-5000
Fax: 847-803-5454
www.chicagofaucets.com

REPAIR PARTS

BY: SID DATE: 12-02-16

CHK: *AR* REV:

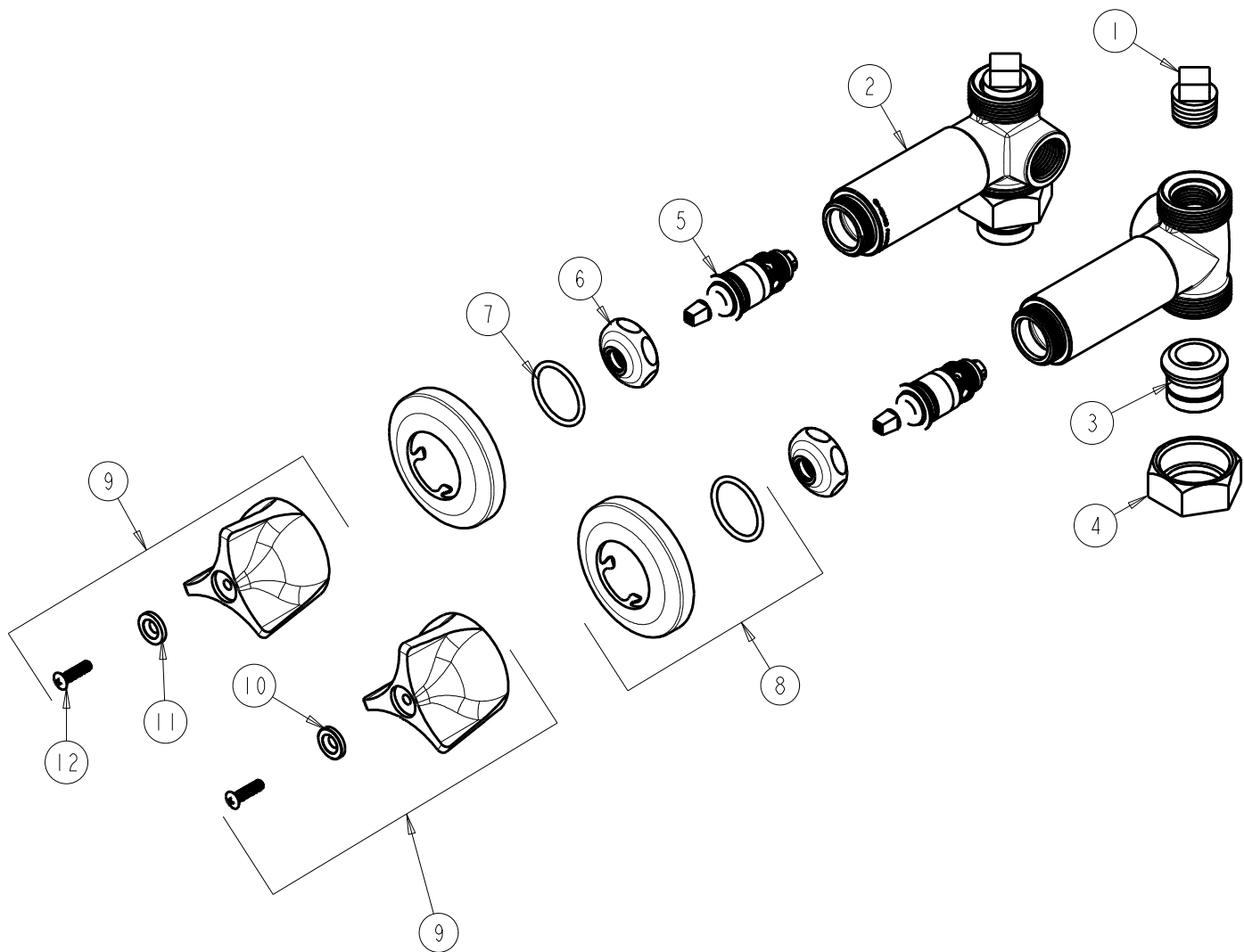
FITTING NO.

1769-PRABCP

SUBMITTED MODEL NO.

ITEM NO.

FOR TECHNICAL ASSISTANCE
1-800-TEC-TRUE (1-800-832-8783)



ITEM	PART NO.	DESCRIPTION	ITEM	PART NO.	DESCRIPTION
1	234-032JKABRCF	1/2 NPT PLUG	7	5235-107JKNF	O-RING
2	-----	VALVE BODY	8	633-201JKCP	FLANGE & O-RING
3	177-003JKABRBF	UNION TAILPIECE	9	950-PRJKCP	3-WING HANDLE ASSEMBLY
4	177-002JKCP	UNION NUT	10	633-123JKNF	INDEX BUTTON (BLUE)
5	217-XTLHJKABNF	CARTRIDGE, SLO-COMPRESSION (LH)	11	633-023JKNF	INDEX BUTTON (RED)
6	1-214JKCP	CAP	12	250-093JKRCF	SCREW