

CHICAGO FAUCETS.

Geberit Group

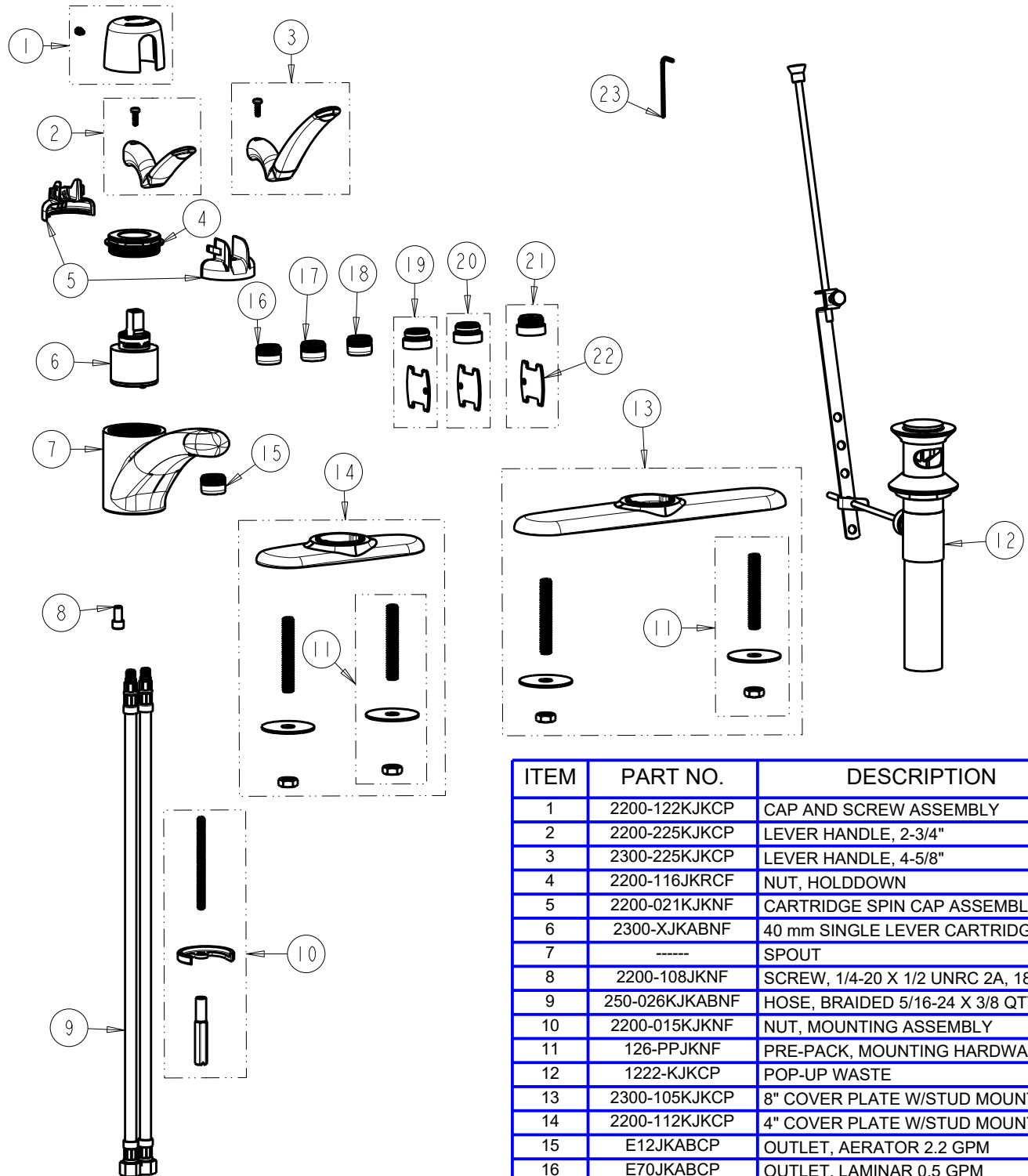
FOR TECHNICAL ASSISTANCE
1-800-TEC-TRUE (1-800-832-8783)

2100 South Clearwater Drive
Des Plaines, IL 60018
Phone: 847-803-5000
Fax: 847-803-5454
www.chicagofaucets.com

REPAIR PARTS

BY: JAR DATE: 10-31-13
CHK: *Jae* REV: 11-02-22

FITTING NO.
2200-2201-SERIES
SUBMITTED MODEL NO.
ITEM NO.



ITEM	PART NO.	DESCRIPTION
1	2200-122KJKCP	CAP AND SCREW ASSEMBLY
2	2200-225KJKCP	LEVER HANDLE, 2-3/4"
3	2300-225KJKCP	LEVER HANDLE, 4-5/8"
4	2200-116JKRCF	NUT, HOLDDOWN
5	2200-021KJKNF	CARTRIDGE SPIN CAP ASSEMBLY
6	2300-XJKABNF	40 mm SINGLE LEVER CARTRIDGE
7	-----	SPOUT
8	2200-108JKNF	SCREW, 1/4-20 X 1/2 UNRC 2A, 18-8 SS
9	250-026KJKABNF	HOSE, BRAIDED 5/16-24 X 3/8 QTY 1
10	2200-015KJKNF	NUT, MOUNTING ASSEMBLY
11	126-PPJKNF	PRE-PACK, MOUNTING HARDWARE
12	1222-KJKCP	POP-UP WASTE
13	2300-105KJKCP	8" COVER PLATE W/STUD MOUNT
14	2200-112KJKCP	4" COVER PLATE W/STUD MOUNT
15	E12JKABCP	OUTLET, AERATOR 2.2 GPM
16	E70JKABCP	OUTLET, LAMINAR 0.5 GPM
17	E74JKABCP	OUTLET, LAMINAR 1.0 GPM
18	E37JKABCP	OUTLET, AERATOR 1.5 GPM
19	E2805JKABCP	OUTLET, VP SPRAY w/KEY 0.5 GPM
20	E39VPJKABCP	OUTLET, VP SPRAY w/KEY 0.35 GPM
21	E12VPJKABCP	OUTLET, VP AERATOR w/KEY 2.2 GPM
22	3-024JKRCF	KEY, VP
23	665-505JKNF	3/32" HEX KEY