



a Geberit company

2100 South Clearwater Drive
Des Plaines, IL 60018
Phone: 847-803-5000
Fax: 847-803-5454
www.chicagofaucets.com

REPAIR PARTS

BY: JAR DATE: 01-23-13

CHK: *[Signature]* REV: 10-29-14

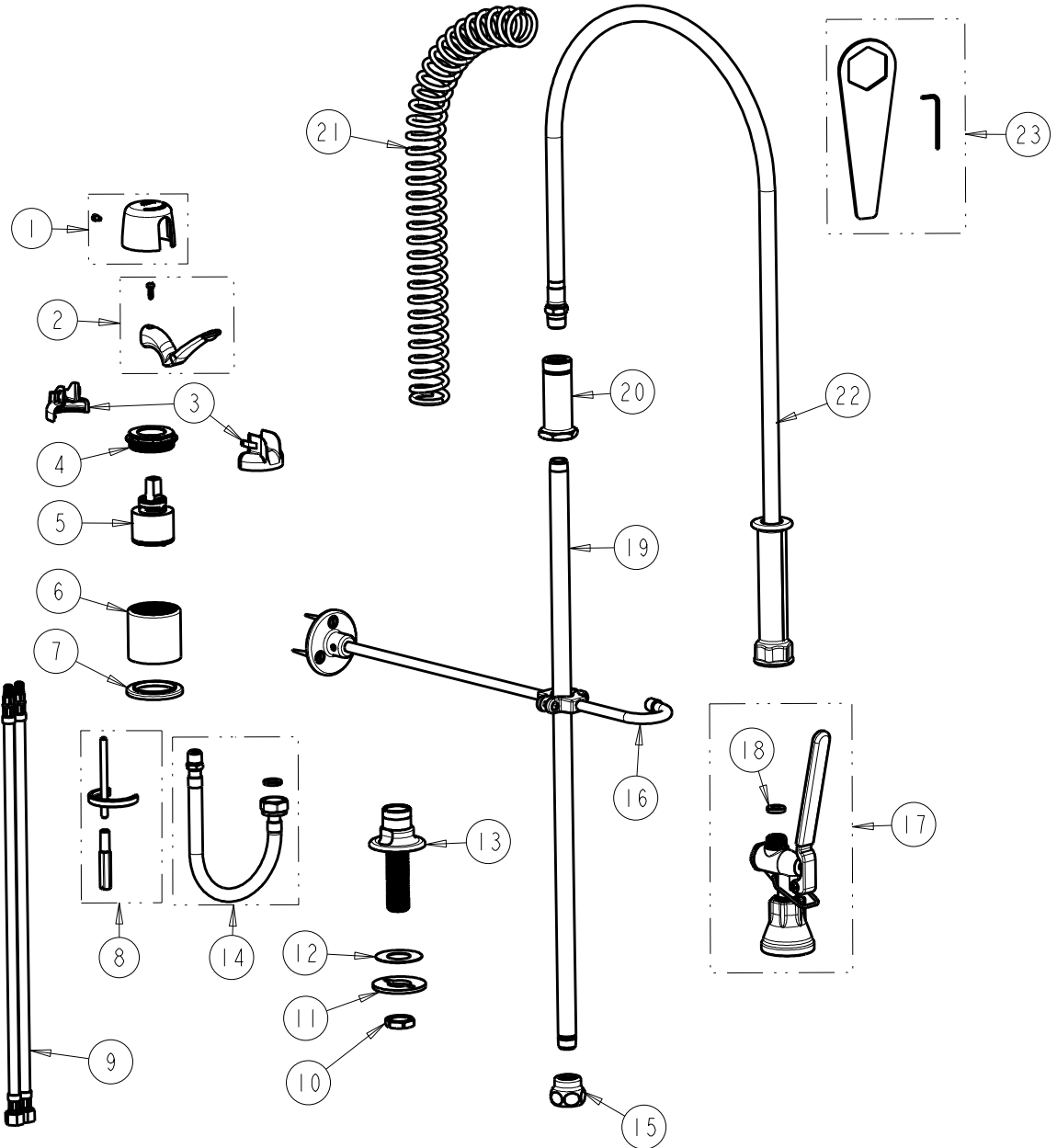
FITTING NO.

2305-ABCP

SUBMITTED MODEL NO.

ITEM NO.

FOR TECHNICAL ASSISTANCE
1-800-TEC-TRUE (1-800-832-8783)



ITEM	PART NO.	DESCRIPTION	ITEM	PART NO.	DESCRIPTION
1	2200-122JKCP	CAP AND SCREW ASSEMBLY	13	-----	SHANK AND FLANGE ASSEMBLY
2	2200-225JKCP	LEVER HANDLE, 2-3/4"	14	250-006KJKABNF	HOSE WITH FIBER WASHER
3	2200-021KJKNF	CARTRIDGE SPIN CAP ASSEMBLY	15	BA2JKABCP	ADAPTER 3/8 NPT X 1 1/16-18 UNEF
4	2200-116JKRCF	NUT, HOLDDOWN	16	902-MHJKCP	PIPE STRAP AND HOOK ASSEMBLY
5	2300-XJKABNF	40 mm SINGLE LEVER CARTRIDGE	17	90-LABCP	PRE-RINSE VALVE, LOW FLOW
6	-----	BODY (NOT SOLD SEPARATELY)	18	919-243JKABNF	GASKET, .685 X .375 X .125
7	2300-014JKCP	FLANGE, BODY	19	919-039JKABCP	3/8" NPT X 23" RISER
8	2200-015JKKNF	HOLDDOWN KIT	20	919-038JKABCP	GUIDE SHANK
9	250-025KJKABNF	HOSE, SS BRAIDED 5/16-24 X 3/8	21	919-014JKCP	SPRING
10	49-004JKRBF	LOCKNUT	22	83-44ABNF	44" HOSE AND HANDLE ASSEMBLY
11	807-112JKNF	WASHER	23	2200-002KJKNF	WRENCH & HEX KEY
12	333-103JKNF	RUBBER WASHER			