



2100 South Clearwater Drive
Des Plaines, IL 60018
Phone: 847-803-5000
Fax: 847-803-5454
www.chicagofaucets.com

REPAIR PARTS

BY: SID DATE: 09-06-01
CHK: *[Signature]* REV: 09-25-14

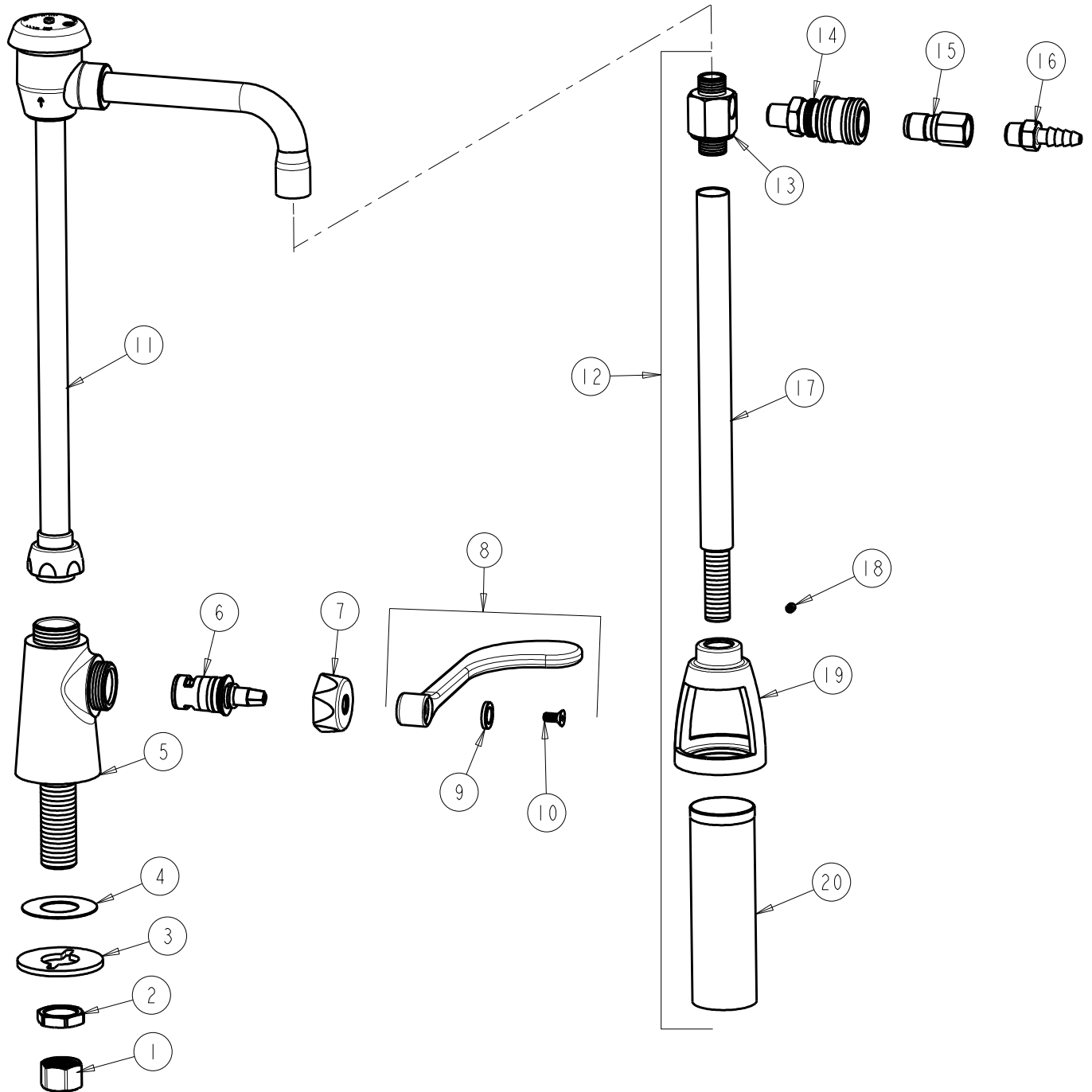
FITTING NO.

349-80102CP

SUBMITTED MODEL NO.

ITEM NO.

FOR TECHNICAL ASSISTANCE
1-800-TEC-TRUE (1-800-832-8783)



ITEM	PART NO.	DESCRIPTION	ITEM	PART NO.	DESCRIPTION
1	49-005JKRBF	COUPLING NUT	11	SP3732KJKCP	V.B. SPOUT
2	49-004JKRBF	LOCKNUT	12	SP3888KJKCP	ASPIRATOR ASSEMBLY
3	807-112JKNF	WASHER	13	SP3719JKCP	VENTURI ASPIRATOR
4	333-103JKNF	RUBBER WASHER	14	SP3773JKCP	HANSEN 1/4 MPT SOCKET
5	-----	VALVE BODY (NOT SOLD SEPARATELY)	15	SP3774JKCP	HANSEN PLUG
6	1-100XKJKABNF	LH CERAMIC CARTRIDGE 1/4	16	SP3775JKCP	LAB NOZZLE OUTLET
7	444-005JKCP	CAP	17	SP3890JKCP	RISER
8	319-COLDJKCP	WRISTBLADE HANDLE (COLD)	18	620-028JKNF	SET SCREW
9	633-123JKNF	INDEX BUTTON (BLUE)	19	-----	AIR GAP-RECEPTOR
10	420-020JKNF	SCREW, 1/8 FLAT HEX HEAD X 1/2	20	-----	RECEPTOR TUBE 1-1/2 O.D.