

**CHICAGO FAUCETS**  
a Geberit company

2100 South Clearwater Drive  
Des Plaines, IL 60018  
Phone: 847-803-5000  
Fax: 847-803-5454  
www.chicagofaucets.com

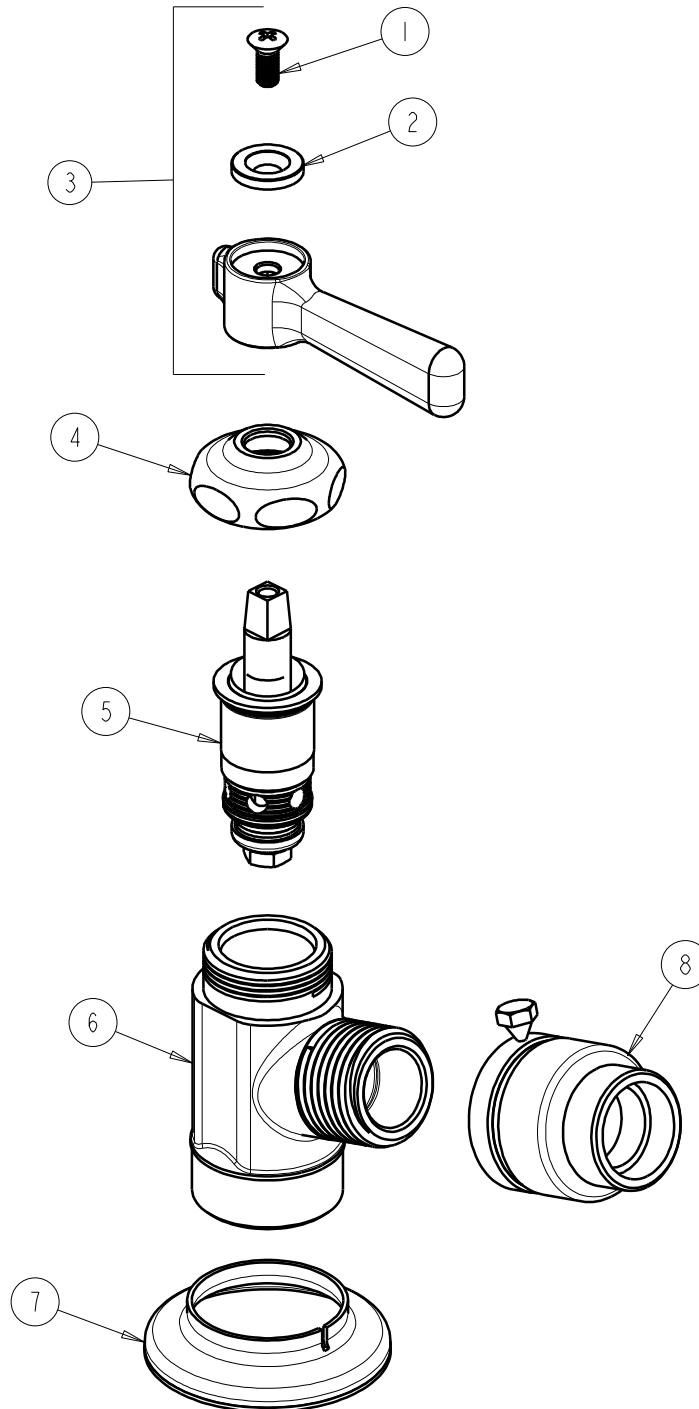
# REPAIR PARTS

BY: SID    DATE: 06-11-09  
CHK: *[Signature]*    REV:

FITTING NO.  
**387-E27-369COLD CP**  
SUBMITTED MODEL NO.

**FOR TECHNICAL ASSISTANCE**  
1-800-TEC-TRUE (1-800-832-8783)

ITEM NO.



ITEM	PART NO.	DESCRIPTION
1	420-010JKRCF	SCREW, 10-32 UNC PH 1/2
2	633-123JKNF	INDEX BUTTON (BLUE)
3	369-COLDJKCP	LEVER HANDLE ASSEMBLY
4	1-214JKCP	CAP
5	217-XTLHJKNF	CARTRIDGE, SLO-COMPRESSION
6	----	BODY NOT SOLD SEPARATELY
7	387-012JKRCF	FLANGE, HOSE BIBB
8	E27JKCP	VACUUM BREAKER OUTLET