



2100 South Clearwater Drive
Des Plaines, IL 60018
Phone: 847-803-5000
Fax: 847-803-5454
www.chicagofaucets.com

REPAIR PARTS

FITTING NO.

733-665PSHVO

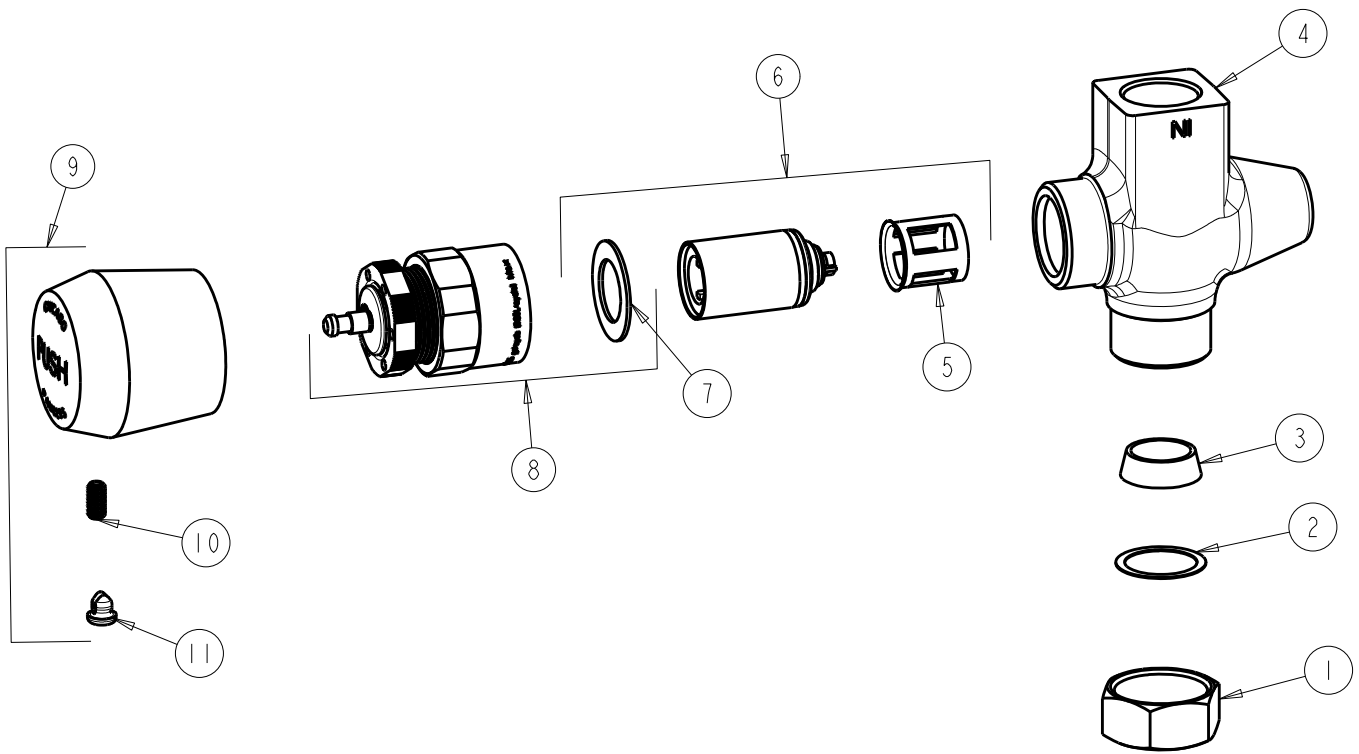
SUBMITTED MODEL NO.

BY: SID DATE: 04-08-21

ITEM NO.

CHK: *SJD* REV:

FOR TECHNICAL ASSISTANCE
1-800-TEC-TRUE (1-800-832-8783)



ITEM	PART NO.	DESCRIPTION	ITEM	PART NO.	DESCRIPTION
1	702-002JKCP	NUT	7	665-011JKABNF	WASHER, SEALING
2	702-012JKRBF	BRASS WASHER	8	665-190KJKABNF	ACTUATOR ASSEMBLY
3	93-033JKNF	WASHER, RUBBER CONE	9	665-PSHJKCP	HANDLE, PUSH CAP
4	-----	VALVE BODY (NOT SOLD SEPARATELY)	10	665-116JKNF	SET SCREW
5	667-402JKABNF	MVP FILTER	11	665-309KJKNF	BUTTONS, HOT AND COLD
6	671-XJKABNF	METERING VALVE CARTRIDGE			