

**CHICAGO FAUCETS** 

a Geberit company

2100 South Clearwater Drive  
Des Plaines, IL 60018  
Phone: 847-803-5000  
Fax: 847-803-5454  
www.chicagofaucets.com

**FOR TECHNICAL ASSISTANCE**  
1-800-TEC-TRUE (1-800-832-8783)

# REPAIR PARTS

BY: SID DATE: 11-16-11

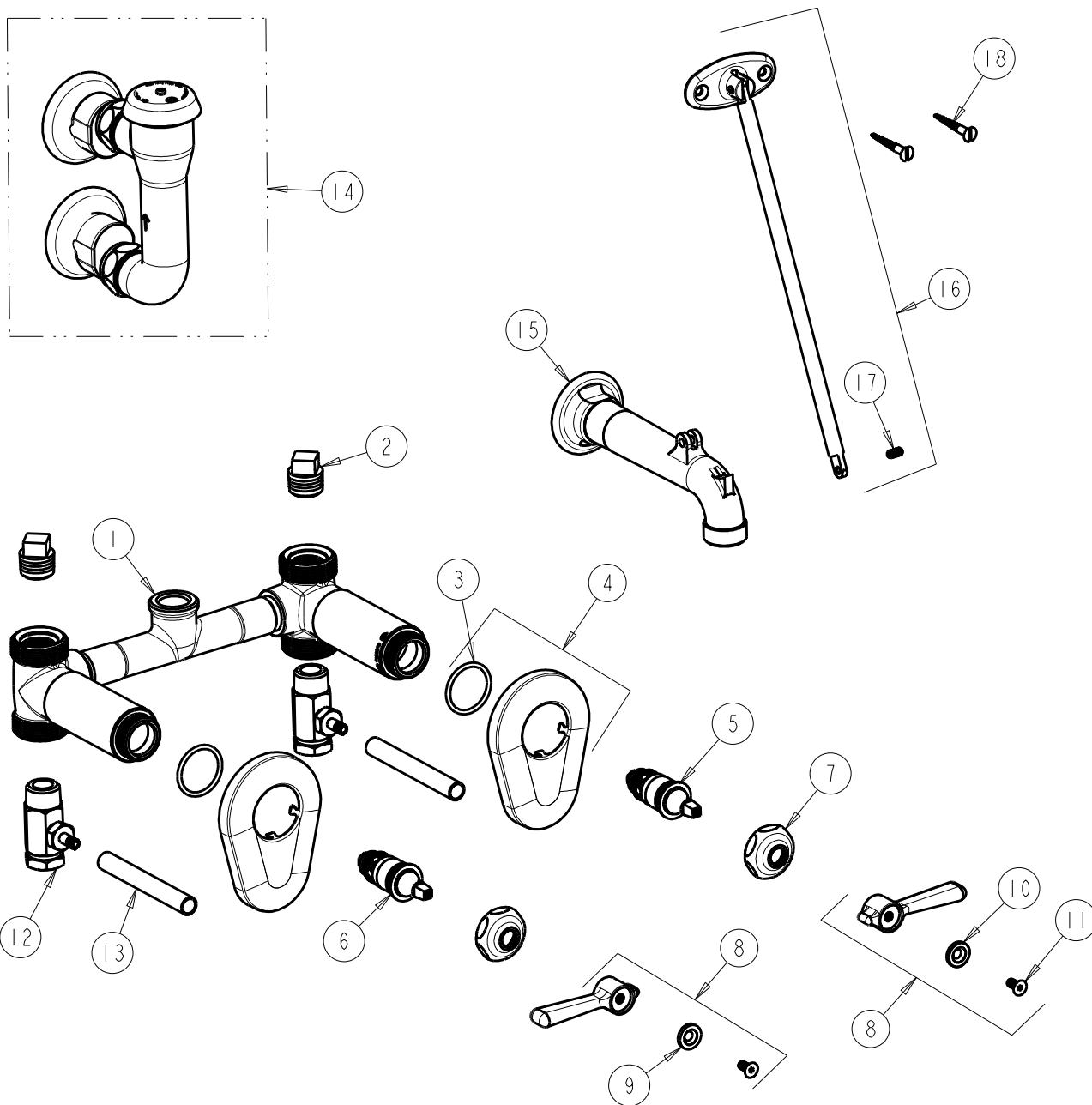
CHK: *HR* REV: 12-01-16

FITTING NO.

911-IS369CP

SUBMITTED MODEL NO.

ITEM NO.



ITEM	PART NO.	DESCRIPTION	ITEM	PART NO.	DESCRIPTION
1	-----	VALVE BODY (NOT SOLD SEPARATELY)	10	633-123JKNF	INDEX BUTTON (BLUE)
2	234-032JKABRCF	1/2 NPT PLUG	11	420-020JKNF	SCREW, 1/8 FLAT HEX HEAD X 1/2
3	5235-107JKNF	O-RING	12	769-013JKRBF	INTEGRAL STOP VALVE
4	769-201JKCP	WALL FLANGE & O-RING	13	769-005JKNF	INTEGRAL STOP SLEEVE
5	217-XTRHJKABNF	CARTRIDGE, SLO-COMPRESSION (RH)	14	892-GABCP	ELEVATED VACUUM BREAKER ASSY.
6	217-XTLHJKABNF	CARTRIDGE, SLO-COMPRESSION (LH)	15	782-001KJKCP	CAST SPOUT ASSEMBLY
7	1-214JKCP	CAP	16	897-013KJKCP	BRACE ROD ASSEMBLY
8	369-PRJKCP	HANDLE, 2-3/8 LEVER (PAIR)	17	665-116JKNF	SET SCREW
9	633-023JKNF	INDEX BUTTON (RED)	18	173-006JKCP	FLAT HEAD WOOD SCREW