



a Geberit company

2100 South Clearwater Drive  
Des Plaines, IL 60018  
Phone: 847-803-5000  
Fax: 847-803-5454  
www.chicagofaucets.com

# REPAIR PARTS

BY: SID DATE: 10-20-14

CHK: *[Signature]* REV:

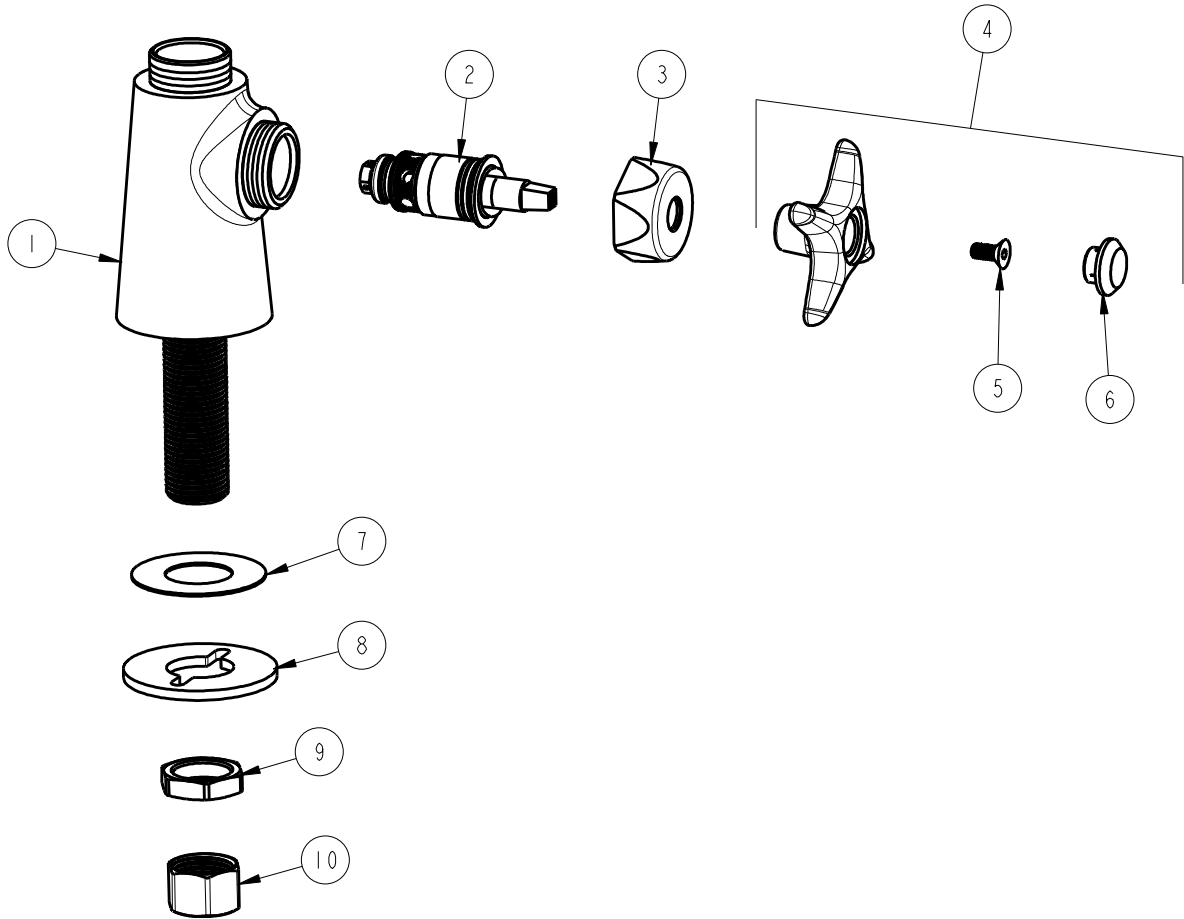
FITTING NO.

927-LES

SUBMITTED MODEL NO.

ITEM NO.

**FOR TECHNICAL ASSISTANCE**  
1-800-TEC-TRUE (1-800-832-8783)



ITEM	PART NO.	DESCRIPTION
1	-----	VALVE BODY (NOT SOLD SEPARATELY)
2	217-XTLHJKABNF	CARTRIDGE, SLO-COMPRESSION (LH)
3	444-005JKCP	CAP
4	204-CWJKCP	HANDLE ASSEMBLY
5	420-020JKNF	SCREW, 1/8 FLAT HEX HEAD X 1/2
6	216-178JKNF	BUTTON 'CW'
7	333-103JKNF	RUBBER WASHER
8	807-112JKNF	WASHER
9	49-004JKRBF	LOCKNUT
10	49-005JKRBF	COUPLING NUT