

# Accessories & Parts

## 116.588.AB.1

### Product Type

---

Deck-mounted ADA and HCAI-compliant mechanical mixing valve with user temperature control

### Features & Specifications

---

- ADA and HCAI-compliant 4" blade handle with hot/cold index for 4", single-supply HyTronic installations
- Cast brass valve body, stainless steel supply hoses
- Includes inlet check valves, mounting hardware
- CFNow! Item Ships in 3 Days



### Warranty

---

- 5-Year Limited Cartridge Warranty
- 1-Year Limited Finish Warranty
- 5-Year Limited Mechanical Warranty

### Codes & Standards

---

-  ADA ANSI/ICC A117.1
-  NSF/ANSI 61, Section 9

Job Name \_\_\_\_\_

Item Number \_\_\_\_\_

Section/Tag \_\_\_\_\_

Model Specified \_\_\_\_\_

Architect \_\_\_\_\_

Engineer \_\_\_\_\_

Contractor \_\_\_\_\_

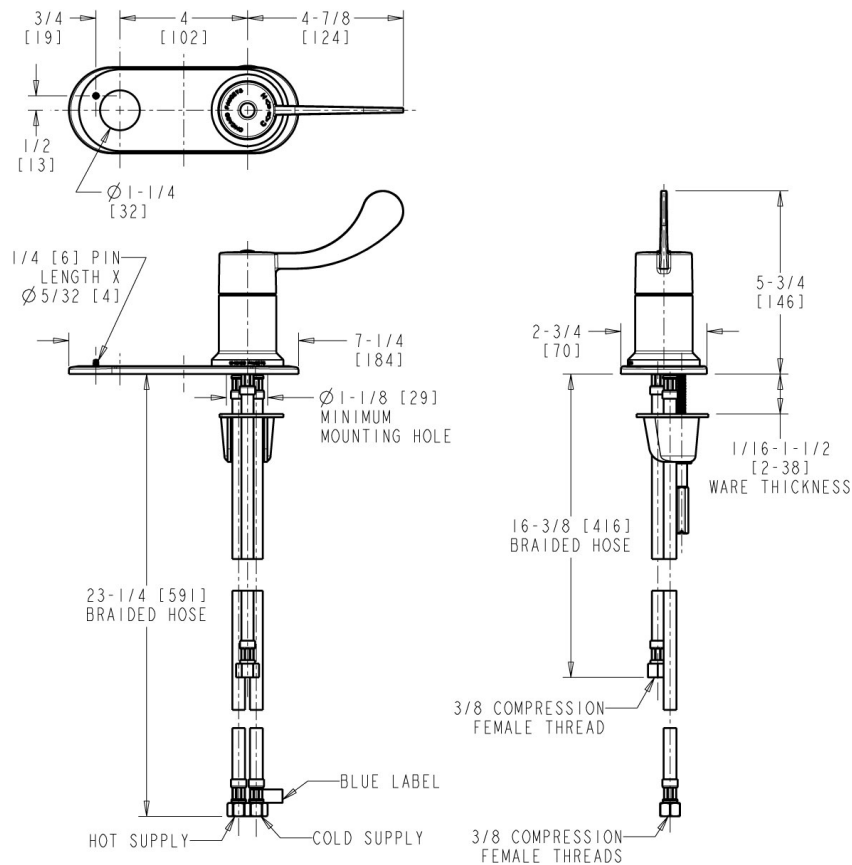
Submitted as Shown       Submitted with Variations

Date \_\_\_\_\_



**Architect/Engineer Specification**

Chicago Faucets No. 116.588.AB.1, Exposed Mechanical Mixing Valve with User Control, chrome plated. ADA and HCAI-compliant deck mounted unit. For 4" centers, single-supply HyTronic installations. ADA and HCAI-compliant 4" blade handle with hot/cold index. Cast brass valve body. Stainless steel braided inlet and out hoses (included). Includes: inlet check valves, mounting hardware. ECAST® construction with less than 0.25% lead content by weighted average.



**Operation and Maintenance**

Installation should be in accordance with local plumbing codes. Flush all pipes thoroughly before installation. After installation, remove spout outlet or flow control and flush faucet thoroughly to clear any debris. Care should be taken when cleaning the product. Do not use abrasive cleaners, chemicals or solvents as they can result in surface damage. Use mild soap and warm water for cleaning and protecting the life of Chicago Faucet products. For specific operation and maintenance refer to the installation instructions and repair parts documents that are located at [www.chicagofaucets.com](http://www.chicagofaucets.com).

Chicago Faucets, member of the Geberit Group, is the leading brand of commercial faucets and fittings in the United States, offering a complete range of products for schools, laboratories, hospitals, office buildings, food service, airports and sport facilities. Call 1.800.TECTRUE or 1.847.803.5000 Option 1 for installation or other technical assistance.

