

Accessories & Parts

122-ABNF

Product Type



ECAST® thermostatic mixing valve (for 1 to 8 fittings)

Features & Specifications

- Adjustment cap with locking feature, includes inlet filter washers
- Bronze body construction, corrosion-resistant internal components
- Standard 1/2" NPT threaded inlet and outlet union connections
- Integral inlet check valves to protect against cross-flow
- CFNow! Item Ships in 3 Days

Warranty

Codes & Standards

- Complies with ASSE 1017
- Complies with ASSE 1069
-  ASSE 1070/ASME A112.1070/CSA B125.70
-  NSF/ANSI 372 Low Lead Content

Job Name _____

Item Number _____

Section/Tag _____

Model Specified _____

Architect _____

Engineer _____

Contractor _____

Submitted as Shown

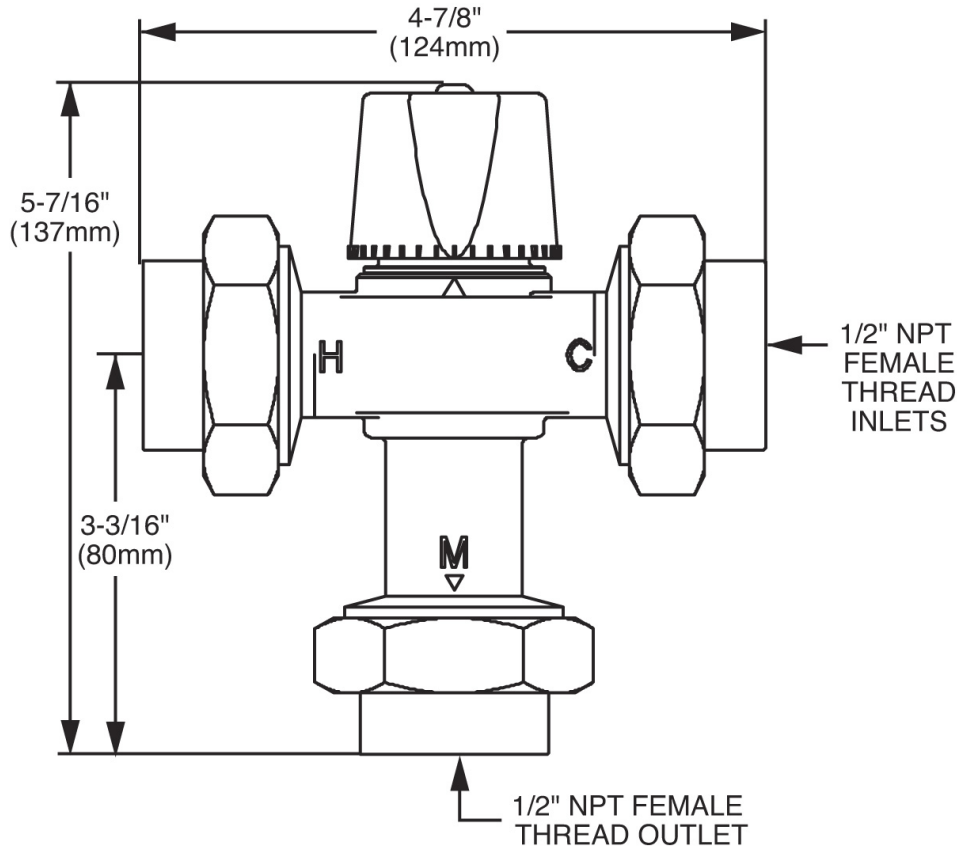
Submitted with Variations

Date _____



Architect/Engineer Specification

Chicago Faucets No. 122-ABNF, ECAST® Thermostatic Mixing Valve (for 1 to 8 fittings). Standard 1/2 NPT threaded inlet and outlet union connections. Integral inlet check valves to protect against cross-flow. Adjustment cap with locking feature. Bronze body construction. Double throttling design to control both hot and cold water supply to the mixed outlet. Corrosion resistant internal components. Solid wax hydraulic principle thermostat. Thermostat controls both hot and cold water. Installs between the stop valves and faucet. Inlet filter washers to filter out debris. Single use or multiple faucet installations. ECAST® construction with less than 0.25% lead content by weighted average.



Operation and Maintenance

Installation should be in accordance with local plumbing codes. Flush all pipes thoroughly before installation. After installation, remove spout outlet or flow control and flush faucet thoroughly to clear any debris. Care should be taken when cleaning the product. Do not use abrasive cleaners, chemicals or solvents as they can result in surface damage. Use mild soap and warm water for cleaning and protecting the life of Chicago Faucet products. For specific operation and maintenance refer to the installation instructions and repair parts documents that are located at www.chicagofaucets.com.

Chicago Faucets, member of the Geberit Group, is the leading brand of commercial faucets and fittings in the United States, offering a complete range of products for schools, laboratories, hospitals, office buildings, food service, airports and sport facilities. Call 1.800.TECTRUE or 1.847.803.5000 Option 1 for installation or other technical assistance.

