

# CHICAGO FAUCETS

*Last As Long As The Building*

2100 SOUTH CLEARWATER DRIVE  
DES PLAINES, ILLINOIS 60018-5999

FITTING NO.

1-100XT

SUBMITTED MODEL NO.

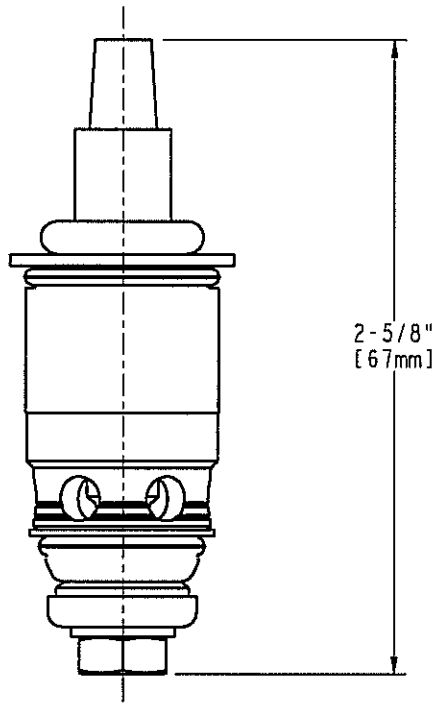
JOB NAME

ITEM NO.

SUBMITTED AS SHOWN

SUBMITTED AS NOTED

SEE ATTACHED FOR  
SUBMITTED MODIFICATION



2-5/8"  
[67mm]

DIMENSIONS IN INCHES AND [MILLIMETERS].

TECHNICAL DATA

LEFT HAND QUATURN SHORT STEM CARTRIDGE FOR EXPOSED VALVE

DATE: 11-19-02

BY: SID

CHK'D: *DT*

APP'D:

REV: A

1-100XT

ROUGHING IN DIMENSIONS MAY VARY AND ARE SUBJECT TO CHANGE. NO RESPONSIBILITY IS ASSUMED FOR USE OF SUPERCEDED OR VOIDED DATA.