



2100 South Clearwater Drive  
Des Plaines, IL 60018  
Phone: 847-803-5000  
Fax: 847-803-5454  
www.chicagofaucets.com

**FOR TECHNICAL ASSISTANCE**  
1-800-TEC-TRUE (1-800-832-8783)

# ROUGH-IN

BY: JAR      DATE: 10-12-22  
CHK:          REV:

FITTING NO.

SEE SCHEDULE

SUBMITTED MODEL NO.

SUBMITTED AS SHOWN

SUBMITTED AS NOTED

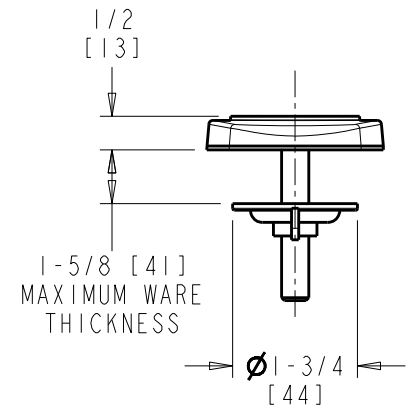
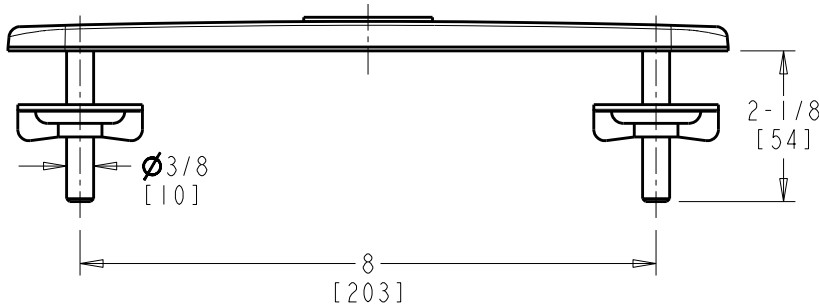
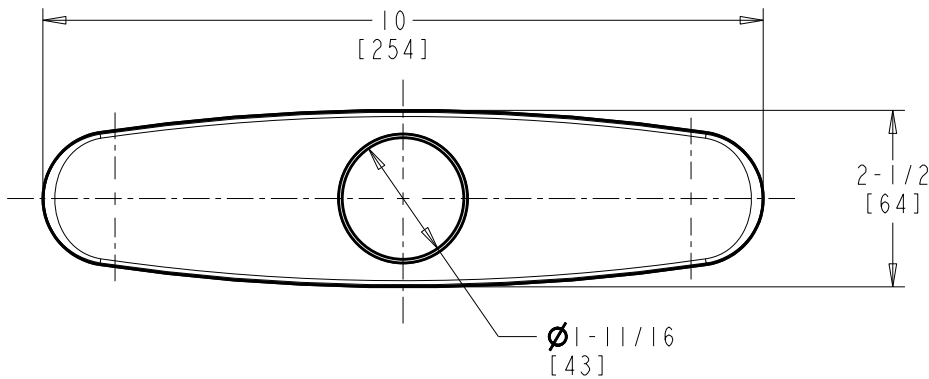
SEE ATTACHED FOR  
SUBMITTED MODIFICATION

JOB NAME

ITEM NO.

## SCHEDULE

FITTING NO.	FINISH
434-008KJKCP	CHROME PLATE
434-008KJKBN	BRUSHED NICKEL
434-008KJKMB	MATTE BLACK



DIMENSIONS ARE IN INCHES AND [MILLIMETERS].

### TECHNICAL DATA

- SEE SPECIFICATION SHEET

ROUGHING IN DIMENSIONS MAY VARY AND ARE SUBJECT TO CHANGE. NO RESPONSIBILITY IS ASSUMED FOR USE OF SUPERCEDED OR VOIDED DATA.