

Single Control Lavatory Faucet Installation Instructions

Recommended for base fittings: 410 Series and 410-T Series

**CHICAGO
FAUCETS**

Geberit Group

Overview

Chicago Faucets deck mounted faucets feature cast brass bodies and precision cartridges for years of reliable operation.

Notice to the Installer

- Read this entire instruction sheet before installing to ensure proper installation.
- Installation must comply with local codes and ordinances.
- 410-T45 Series products have a maximum operating temperature of 113°F (45°C), which may exceed the maximum temperature requirements of some plumbing codes.

Pressurized plumbing fixtures shall be installed in accordance with manufacturer's recommendations. The supply piping to these devices shall be securely anchored to the building structure to prevent installed device from unnecessary movement when operated by the user. Care shall be exercised when installing the device to prevent marring the exposed surface.

NOTE: The information in this manual is subject to change without notice.

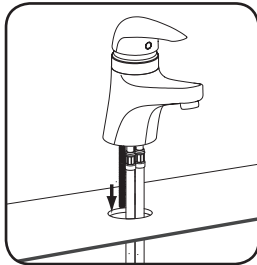
Please leave this manual with the facility manager after completing the faucet installation. This document contains information necessary for routine maintenance and servicing.

NOTE: Before installation, turn off water supplies to existing faucet and remove faucet if replacing. Clean faucet basin and clear away debris. Flush all supply lines before connecting to faucet. Failure to do so can result in debris clogging the inlets and/or cartridges.

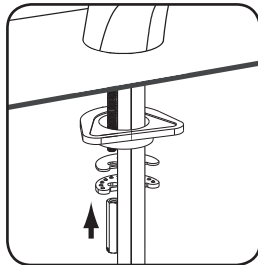
NOTE: Before installing a new ceramic cartridge flush lines completely.

NOTE: Faucet must be serviced using only a Chicago Faucets recommended replacement outlet.

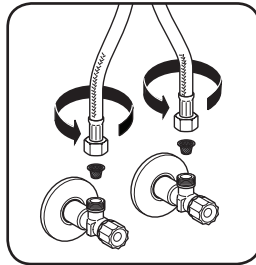
Installation Instructions



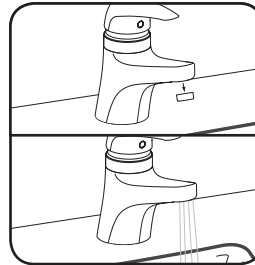
1. Position faucet.



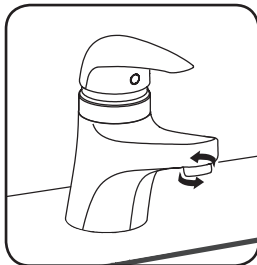
2. Secure faucet.



3. Insert the filter screen gaskets into the supply stops. Attach the 3/8" female compression supply hoses from the mixer to the supply stops. Use a wrench to tighten the nuts to the supply stops.

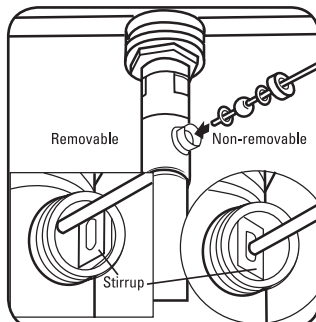
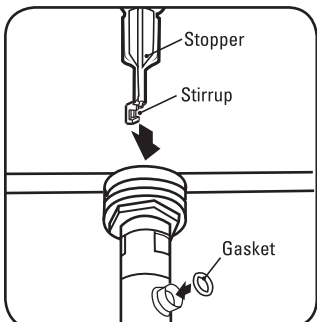


4. Remove outlet and flush lines.



5. Reinstall outlet.

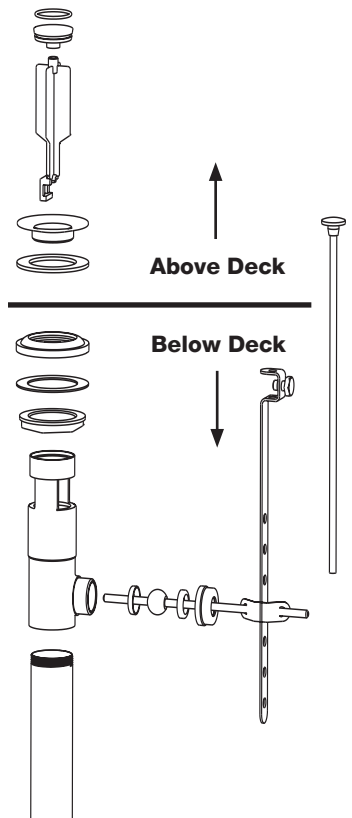
Waste Fitting



TempShield

410-T products are CSA certified to meet ASSE 1070 to provide anti-scald safety requirements.

Waste Fitting (410 Series Only)



Single Control Lavatory Faucet Installation Instructions

(continued)

**CHICAGO
FAUCETS**

Geberit Group

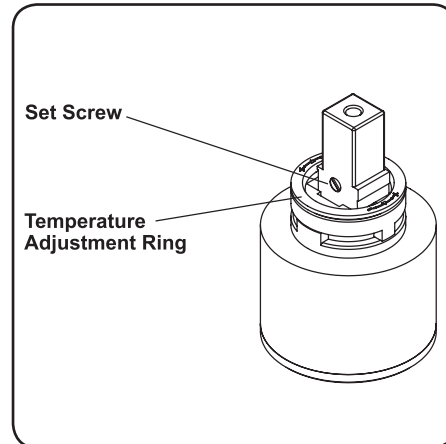
Temperature Adjustment

(410 Series Only)

Lift temperature adjustment ring off cartridge, and rotate clockwise to decrease hot water flow.

Volume Adjustment

Loosen set screw in back of cartridge stem to limit total water volume.



LIFETIME FAUCET WARRANTY — The "Faucet," defined as any metal cast, forged, stamped or formed portion of the Product, not including electronic or moving parts or other products separately covered by this Limited Warranty or water restricting components or other components, is warranted against material manufacturing defects for the life of the Product.

FIVE YEAR FAUCET WARRANTY — Certain Products and portions of the Product are warranted against material manufacturing defects for a period of five (5) years from the date of Product purchase. Products warranted against material manufacturing defects for a period of five (5) years from the date of Product purchase are referred to by the product numbers 42X, 43X, 15XX and E-Tronic™ - 4X, 5X, 6X, 7X, 8X and 9X. All zinc die cast portions of Product are warranted against material manufacturing defects for a period of five (5) years from the date of Product purchase.

THREE YEAR ELECTRONICS WARRANTY — Electronic components, including the solenoid, are warranted for three (3) years from the date of installation.

FIVE YEAR CARTRIDGE WARRANTY — The "Cartridge", defined as the metal portion of any Product typically referred to by the product numbers containing 1-099, 1-100, 1-310, 377X, 217X and 274X, excluding any rubber or plastic components, is warranted against material manufacturing defects for a period of five (5) years from the date of Product purchase. All Cartridges included in the Company's Single Control or Shower Products also are warranted against material manufacturing defects for a period of five (5) years from the date of Product purchase.

ONE YEAR FINISH WARRANTY - COMMERCIAL — For Products used in commercial applications, the finish of the Product is warranted against material manufacturing defects for a period of one (1) year from the date of Product purchase.

OTHER WARRANTIES — All other Products not covered above are warranted against material manufacturing defects for a period of one (1) year from the date of Product purchase.

Other restrictions and limitations apply. For complete warranty details, call Chicago Faucets Customer Service at 847-803-5000 or visit chicagofaucets.com.

The Chicago Faucet Company
2100 South Clearwater Drive
Des Plaines, IL 60018
Phone: 847/803-5000
Fax: 847/803-5454
Technical: 800/832-8783
www.chicagofaucets.com