

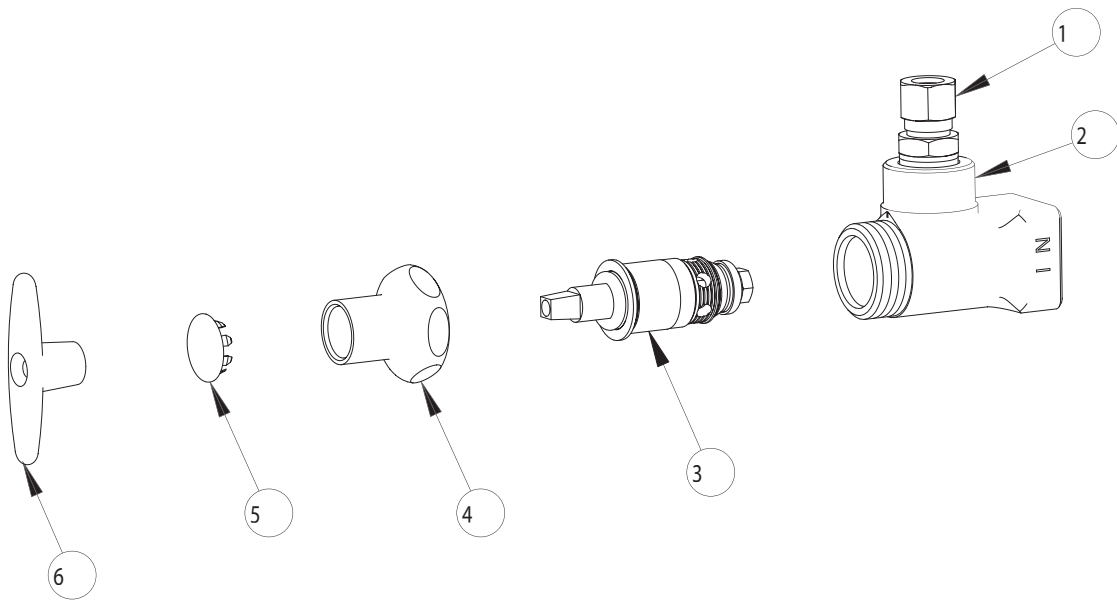
PARTS LIST

BY: SID
CHK'D:



FINISH: AS SPECIFIED
DATE: 11-02-01

1012



ITEM NO.	PART NO.	DESCRIPTION	ITEM NO.	PART NO.	DESCRIPTION
1	-----	COMPRESSION FITTING	5	1-144	BUTTON
2	-----	VALVE BODY (NOT SOLD SEPARATELY)	6	293-006	TEE HANDLE
3	217XTLH	SLO-COMPRESSION UNIT (LH)			
4	1-246	LOOSE KEY CAP			