

**CHICAGO FAUCETS** 

a Geberit company

**FOR TECHNICAL ASSISTANCE**  
1-800-TEC-TRUE (1-800-832-8783)

2100 South Clearwater Drive  
Des Plaines, IL 60018  
Phone: 847-803-5000  
Fax: 847-803-5454  
www.chicagofaucets.com

**REPAIR PARTS**

BY: SID DATE: 06-28-22

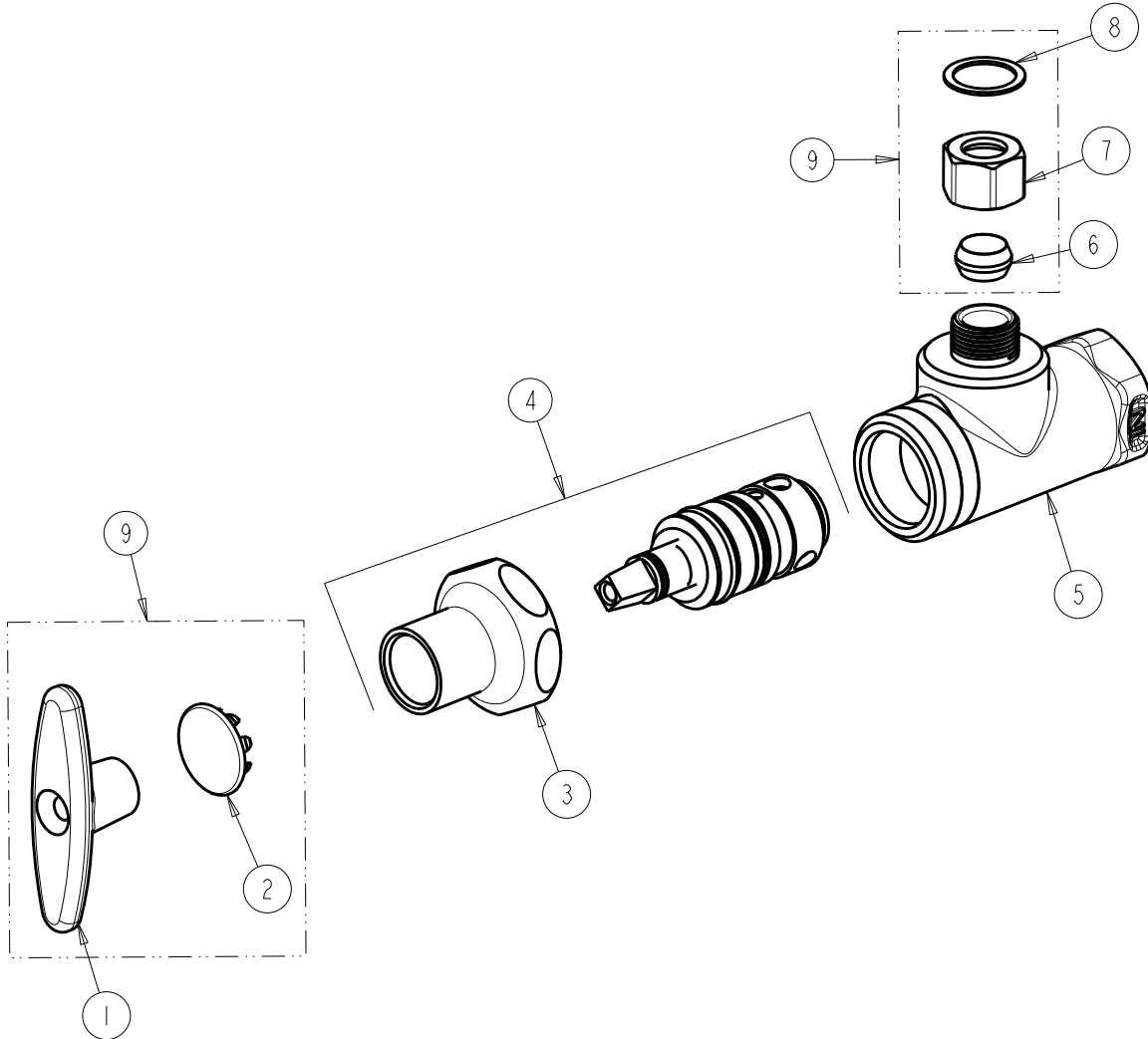
CHK: *FCG* REV:

FITTING NO.

1013-CSTABCP

SUBMITTED MODEL NO.

ITEM NO.



ITEM	PART NO.	DESCRIPTION
1	293-006JKRCF	TEE HANDLE (INCLUDES SCREW)
2	1-144JKCP	BUTTON
3	1-246JKCP	NUT, CAP LOOSE KEY 1-1/8-18 UNEF
4	376-CXSTJKABNF	SLO-COMP ST INTEGRAL CHECK UNIT
5	-----	VALVE BODY (NOT SOLD SEPARATELY)
6	-----	FERRULE, 3/8 TUBE
7	-----	COMPRESSION NUT, 3/8 TUBE
8	250-027JKRBF	BRASS WASHER
9	197-PPJKNF	PRE-PACK, STOP HARDWARE 3/8 TUBE