

CHICAGO FAUCETS 

a Geberit company

FOR TECHNICAL ASSISTANCE
1-800-TEC-TRUE (1-800-832-8783)

2100 South Clearwater Drive
Des Plaines, IL 60018
Phone: 847-803-5000
Fax: 847-803-5454
www.chicagofaucets.com

REPAIR PARTS

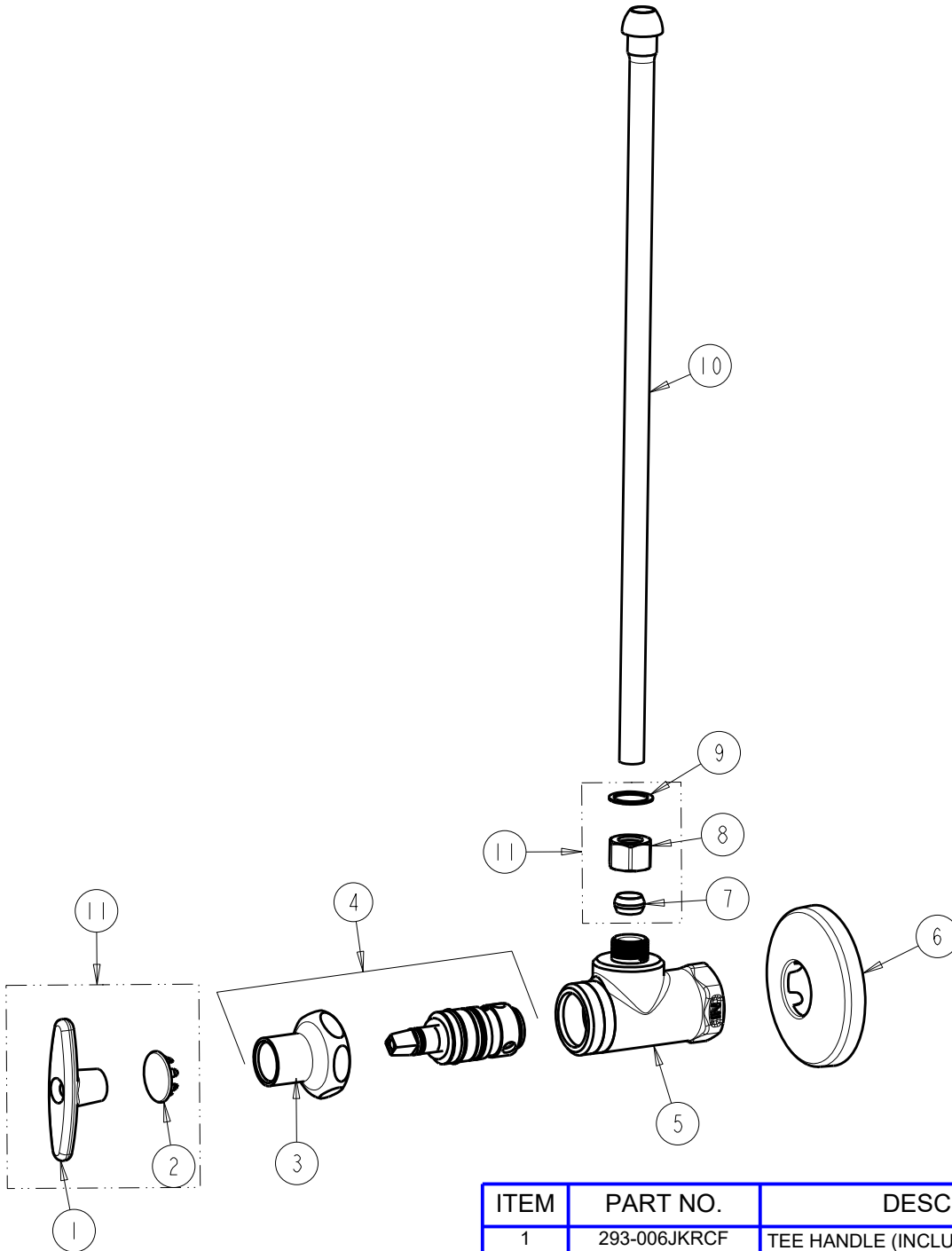
BY: JAR DATE: 06-08-15
CHK: *FCG* REV: 06-29-22

FITTING NO.

1017-CSTABCP

SUBMITTED MODEL NO.

ITEM NO.



ITEM	PART NO.	DESCRIPTION
1	293-006JKRCF	TEE HANDLE (INCLUDES SCREW)
2	1-144JKCP	BUTTON
3	1-246JKCP	NUT, CAP LOOSE KEY 1-1/8-18 UNEF
4	376-CXSTJKABNF	SLO-COMP ST INTEGRAL CHECK UNIT
5	-----	VALVE BODY (NOT SOLD SEPARATELY)
6	749-016JKCP	FLANGE
7	-----	FERRULE, 3/8 TUBE
8	-----	COMPRESSION NUT, 3/8 TUBE
9	250-027JKRBF	BRASS WASHER
10	-----	3/8 COMP BULLNOSE RISER 12"
11	197-PPJKNF	PRE-PACK, STOP HARDWARE 3/8 TUBE