

CHICAGO FAUCETS
a Geberit company

2100 South Clearwater Drive
Des Plaines, IL 60018
Phone: 847-803-5000
Fax: 847-803-5454
www.chicagofaucets.com

REPAIR PARTS

FITTING NO.

1100-317XKVPCCP

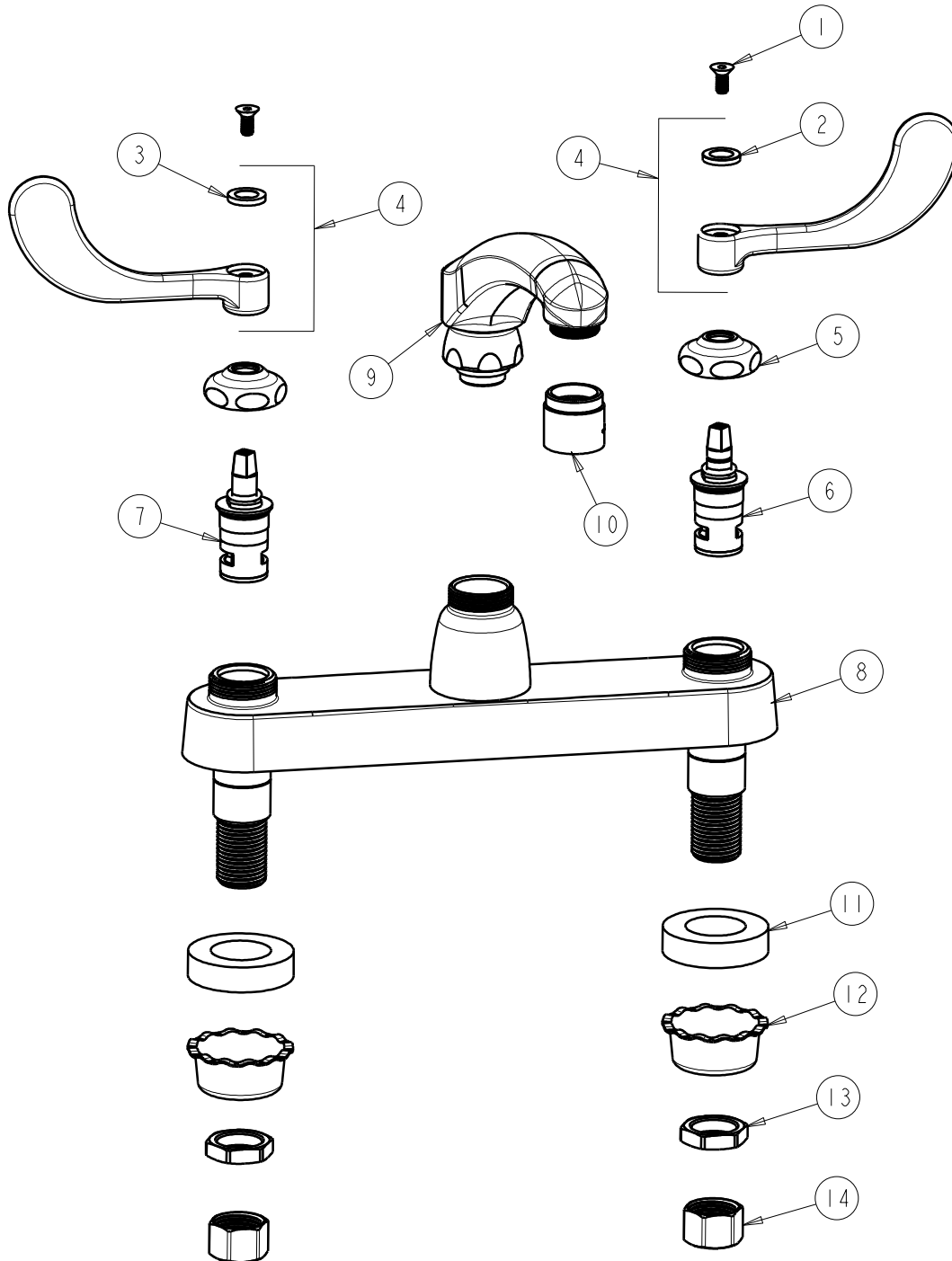
SUBMITTED MODEL NO.

BY: SID DATE: 03-02-10

CHK: *[Signature]* REV:

ITEM NO.

FOR TECHNICAL ASSISTANCE
1-800-TEC-TRUE (1-800-832-8783)



ITEM	PART NO.	DESCRIPTION	ITEM	PART NO.	DESCRIPTION
1	420-020JKNF	SCREW, 1/8 FLAT HEX HEAD X 1/2	8	—	VALVE BODY (NOT SOLD SEPARATELY)
2	633-123JKNF	INDEX BUTTON (BLUE)	9	L8LESSE3JKCP	FOR PARTS SEE L8LESSE3JKCP
3	633-023JKNF	INDEX BUTTON (RED)	10	E3VPJKCP	V.R. SOFTFLO AERATOR W/ V.R. KEY
4	317-PRJKCP	HANDLE, 4" WRISTBLADE (PAIR)	11	555-313JKNF	WASHER
5	1-214JKCP	CAP	12	1797-114JKNF	BASIN COCK WASHER
6	1-099XKJKNF	RH CERAMIC CARTRIDGE 1/4	13	49-004JKRBF	LOCKNUT
7	1-100XKJKNF	LH CERAMIC CARTRIDGE 1/4	14	49-005JKRBF	COUPLING NUT