



a Geberit company

2100 South Clearwater Drive  
Des Plaines, IL 60018  
Phone: 847-803-5000  
Fax: 847-803-5454  
www.chicagofaucets.com

# REPAIR PARTS

BY: SID DATE: 02-25-10

CHK: *[Signature]* REV: 04-19-18

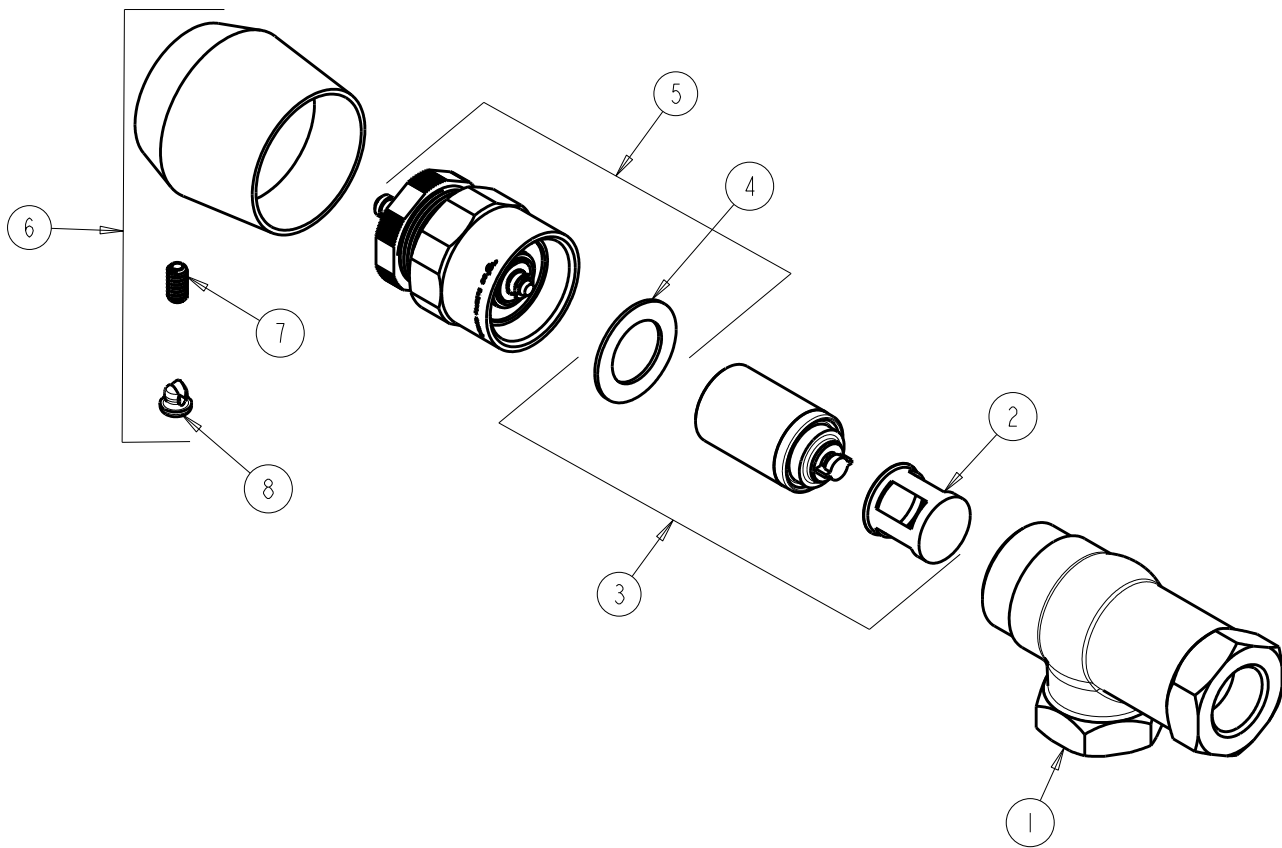
FITTING NO.

389-665PSHCP

SUBMITTED MODEL NO.

ITEM NO.

**FOR TECHNICAL ASSISTANCE**  
1-800-TEC-TRUE (1-800-832-8783)



ITEM	PART NO.	DESCRIPTION	ITEM	PART NO.	DESCRIPTION
1	-----	VALVE BODY NOT SOLD SEPARATELY	5	665-190KJKABNF	ACTUATOR ASSEMBLY
2	667-402JKABNF	MVP FILTER	6	665-PSHJKCP	HANDLE, PUSH CAP
3	671-XJKABNF	METERING VALVE CARTRIDGE	7	665-116JKNF	SET SCREW
4	665-011JKABNF	WASHER, SEALING	8	665-309KJKNF	BUTTONS, HOT AND COLD