

Accessories & Parts

243.260.00.1

Product Type

Hard-wire, multi-use Class 2 transformer with 4" mounting plate, for up to 8 faucets



Features & Specifications

- 242.340.00.1 connecting wire not included (order separately)
- CFNow! Item Ships in 3 Days

Warranty

- 1-Year Limited Material Warranty

Codes & Standards

-  C-UL Listed, 4G02 / E49606
-  UL Listed

Job Name _____

Item Number _____

Section/Tag _____

Model Specified _____

Architect _____

Engineer _____

Contractor _____

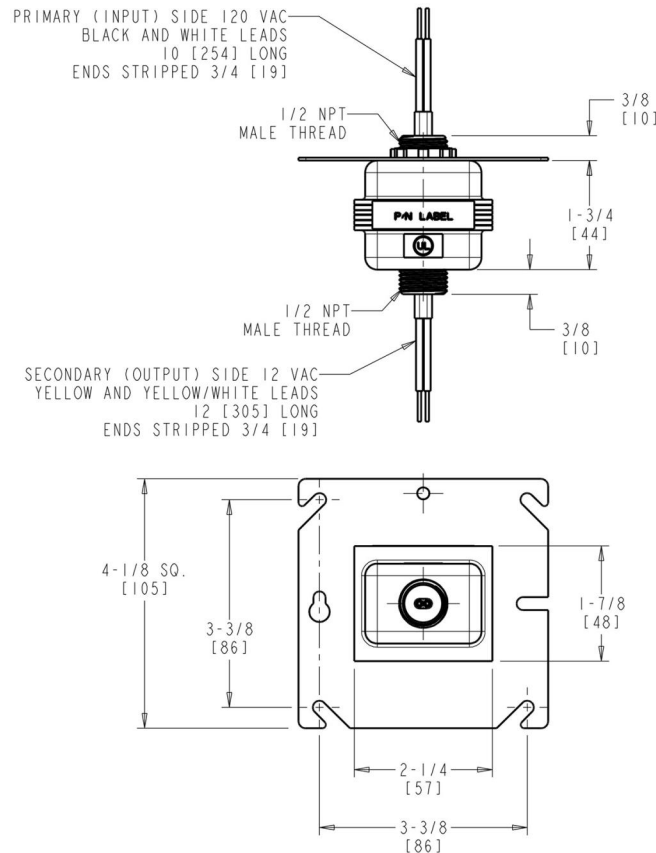
Submitted as Shown Submitted with Variations

Date _____



Architect/Engineer Specification

Chicago Faucets No. 243.260.00.1, Hard-wire Transformer, multi-use. Transformer Type - Class 2. Single-use or multi-use capability (up to 8 faucets). Connection: hard-wire primary and secondary. Primary and secondary ends stripped and tinned. Primary: black and white leads, 10 length. Secondary output voltage 12 VAC. Secondary: yellow and yellow/white leads, 12 length. Output current - 400 mA. UL listed. RoHS compliant. 242.340.00.1 connecting wire not included (order separately). Hard-wired with standard 4 mounting plate.



Operation and Maintenance

Installation should be in accordance with local plumbing codes. Flush all pipes thoroughly before installation. After installation, remove spout outlet or flow control and flush faucet thoroughly to clear any debris. Care should be taken when cleaning the product. Do not use abrasive cleaners, chemicals or solvents as they can result in surface damage. Use mild soap and warm water for cleaning and protecting the life of Chicago Faucet products. For specific operation and maintenance refer to the installation instructions and repair parts documents that are located at www.chicagofaucets.com.

Chicago Faucets, member of the Geberit Group, is the leading brand of commercial faucets and fittings in the United States, offering a complete range of products for schools, laboratories, hospitals, office buildings, food service, airports and sport facilities. Call 1.800.TECTRUE or 1.847.803.5000 Option 1 for installation or other technical assistance.

