



a Geberit company

2100 South Clearwater Drive
Des Plaines, IL 60018
Phone: 847-803-5000
Fax: 847-803-5454
www.chicagofaucets.com

REPAIR PARTS

BY: JAR DATE: 03-26-15
CHK: *JAR* REV:

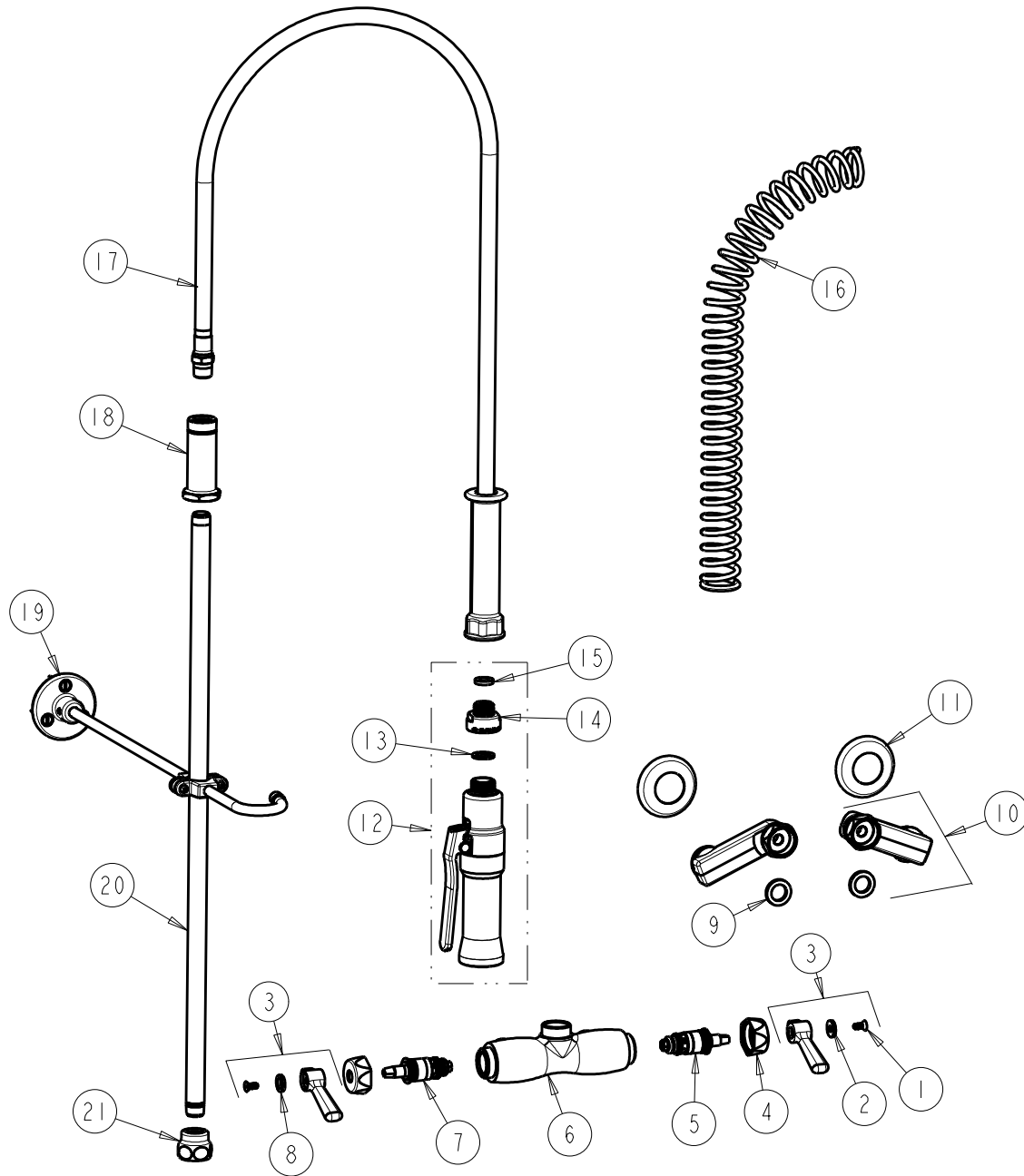
FITTING NO.

923-ASABCP

SUBMITTED MODEL NO.

ITEM NO.

FOR TECHNICAL ASSISTANCE
1-800-TEC-TRUE (1-800-832-8783)



ITEM	PART NO.	DESCRIPTION	ITEM	PART NO.	DESCRIPTION
1	420-020JKNF	SCREW, 1/8 FLAT HEX HEAD X 1/2	12	99-ASAB	ADJUSTABLE SPRAY PRE-RINSE VALVE
2	633-123JKNF	INDEX BUTTON (BLUE)	13	919-244JKABNF	GASKET, .825 X .590 X .072
3	369-PRJKCP	HANDLE, 2-3/8" LEVER (PAIR)	14	919-046JKABRCF	ADAPTER, PRE-RINSE
4	444-005JKCP	CAP	15	919-243JKABNF	GASKET, .685 X .375 X .125
5	1-099XTJKABNF	QUATURN CARTRIDGE (RH)	16	919-014JKCP	SPRING
6	-----	VALVE BODY (NOT SOLD SEPARATELY)	17	83-44ABNF	44" HOSE AND HANDLE ASSEMBLY
7	1-100XTJKABNF	QUATURN CARTRIDGE (LH)	18	919-038JKABCP	GUIDE SHANK
8	633-023JKNF	INDEX BUTTON (RED)	19	902-MHJKCP	PIPE STRAP AND HOOK ASSEMBLY
9	1-011JKABNF	WASHER, .97 X .62 X .12	20	919-039JKABCP	3/8" NPT X 23" RISER
10	HJKABCP	ARM ASSEMBLY w/WASHER	21	BA2JKABCP	ADAPTER 3/8 NPT X 1 1/16-18 UNEF
11	1-055JKCP	FLANGE			