



a Geberit company

2100 South Clearwater Drive  
Des Plaines, IL 60018  
Phone: 847-803-5000  
Fax: 847-803-5454  
www.chicagofaucets.com

# REPAIR PARTS

BY: SID    DATE: 12-19-13  
CHK: *[Signature]*    REV:

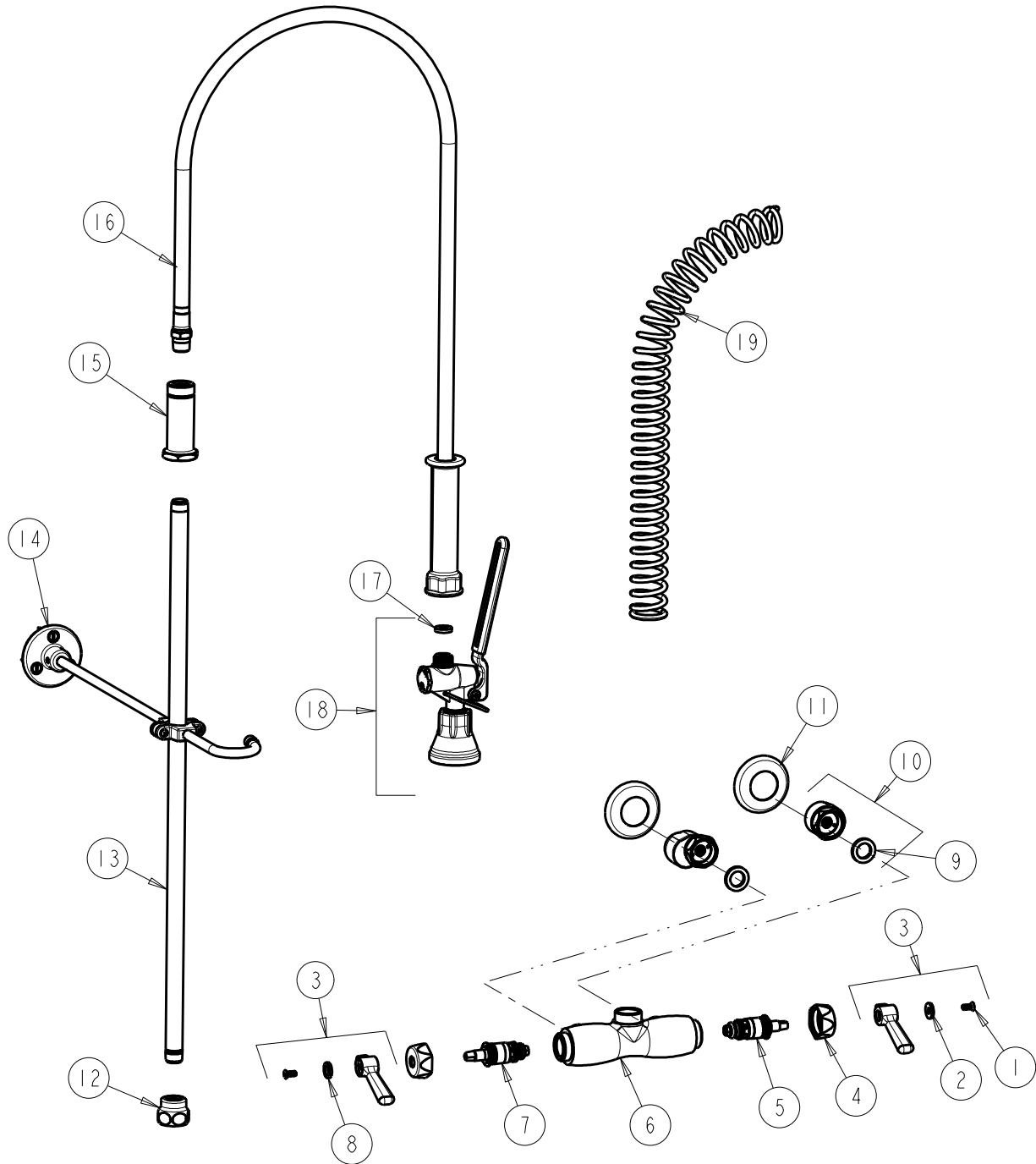
FITTING NO.

923-GCLABCP

SUBMITTED MODEL NO.

ITEM NO.

**FOR TECHNICAL ASSISTANCE**  
1-800-TEC-TRUE (1-800-832-8783)



ITEM	PART NO.	DESCRIPTION	ITEM	PART NO.	DESCRIPTION
1	420-010JKRCF	SCREW, 10-32 UNC PH 1/2	11	1-055JKCP	FLANGE
2	633-123JKNF	INDEX BUTTON (BLUE)	12	BA2JKABCP	ADAPTER 3/8 NPT X 1 1/16-18 UNEF
3	369-PRJKCP	HANDLE, 2-3/8" LEVER (PAIR)	13	919-039JKABCP	3/8" NPT X 23" RISER
4	444-005JKCP	CAP	14	902-MHJKCP	PIPE STRAP AND HOOK ASSEMBLY
5	1-099XTJKABNF	QUATURN CARTRIDGE (RH)	15	919-038JKABCP	GUIDE SHANK
6	-----	VALVE BODY (NOT SOLD SEPARATELY)	16	83-44ABNF	44" HOSE AND HANDLE ASSEMBLY
7	1-100XTJKABNF	QUATURN CARTRIDGE (LH)	17	919-243JKABNF	GASKET, .685 X .375 X .125
8	633-023JKNF	INDEX BUTTON (RED)	18	90-LABCP	PRE-RINSE VALVE, LOW FLOW
9	1-011JKABNF	WASHER, .97 X .62 X .12	19	919-014JKCP	SPRING
10	GCJKABCP	ARM ASSEMBLY 'GC' WITH WASHER			