



2100 South Clearwater Drive
Des Plaines, IL 60018
Phone: 847-803-5000
Fax: 847-803-5454
www.chicagofaucets.com

FOR TECHNICAL ASSISTANCE
1-800-TEC-TRUE (1-800-832-8783)

ROUGH-IN

BY: SID DATE: 10-23-15
CHK: *AP* REV:

FITTING NO.

376-CXJKABNF

SUBMITTED MODEL NO.

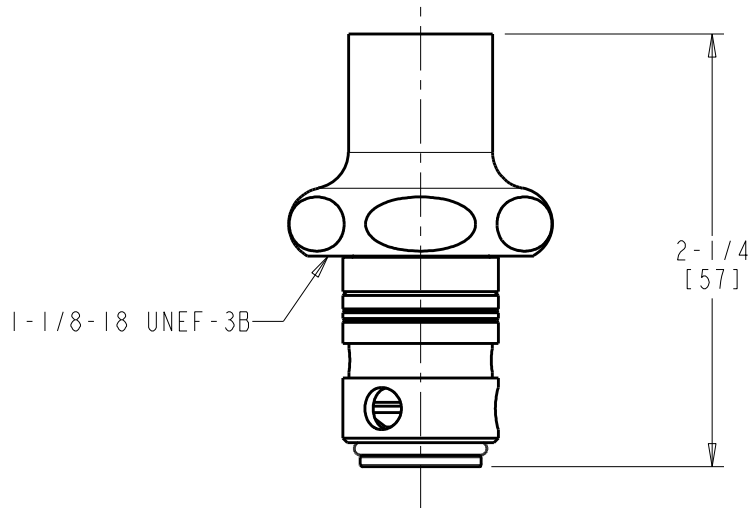
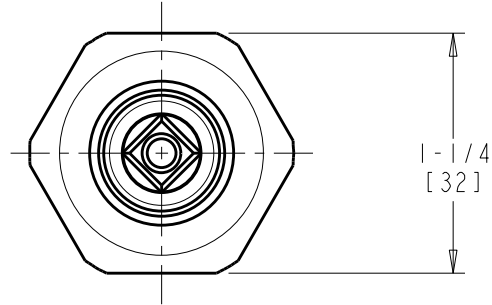
SUBMITTED AS SHOWN

SUBMITTED AS NOTED

SEE ATTACHED FOR
SUBMITTED MODIFICATION

JOB NAME

ITEM NO.



DIMENSIONS ARE IN INCHES AND [MILLIMETERS].

TECHNICAL DATA

- SLOW COMPRESSION INTEGRAL CHECK CARTRIDGE
- 360° TURN ON
- MANUAL SHUT OFF
- SHORT STEM FOR EXPOSED CAPS
- LEFT HAND
- INCLUDES LOOSE KEY CAP
- REBUILDABLE
- FINISH: NO FINSH

ROUGHING IN DIMENSIONS MAY VARY AND ARE SUBJECT TO CHANGE. NO RESPONSIBILITY IS ASSUMED FOR USE OF SUPERCEDED OR VOIDED DATA.