



2100 South Clearwater Drive
Des Plaines, IL 60018
Phone: 847-803-5000
Fax: 847-803-5454
www.chicagofaucets.com

REPAIR PARTS

FITTING NO.

510-GCLABCP

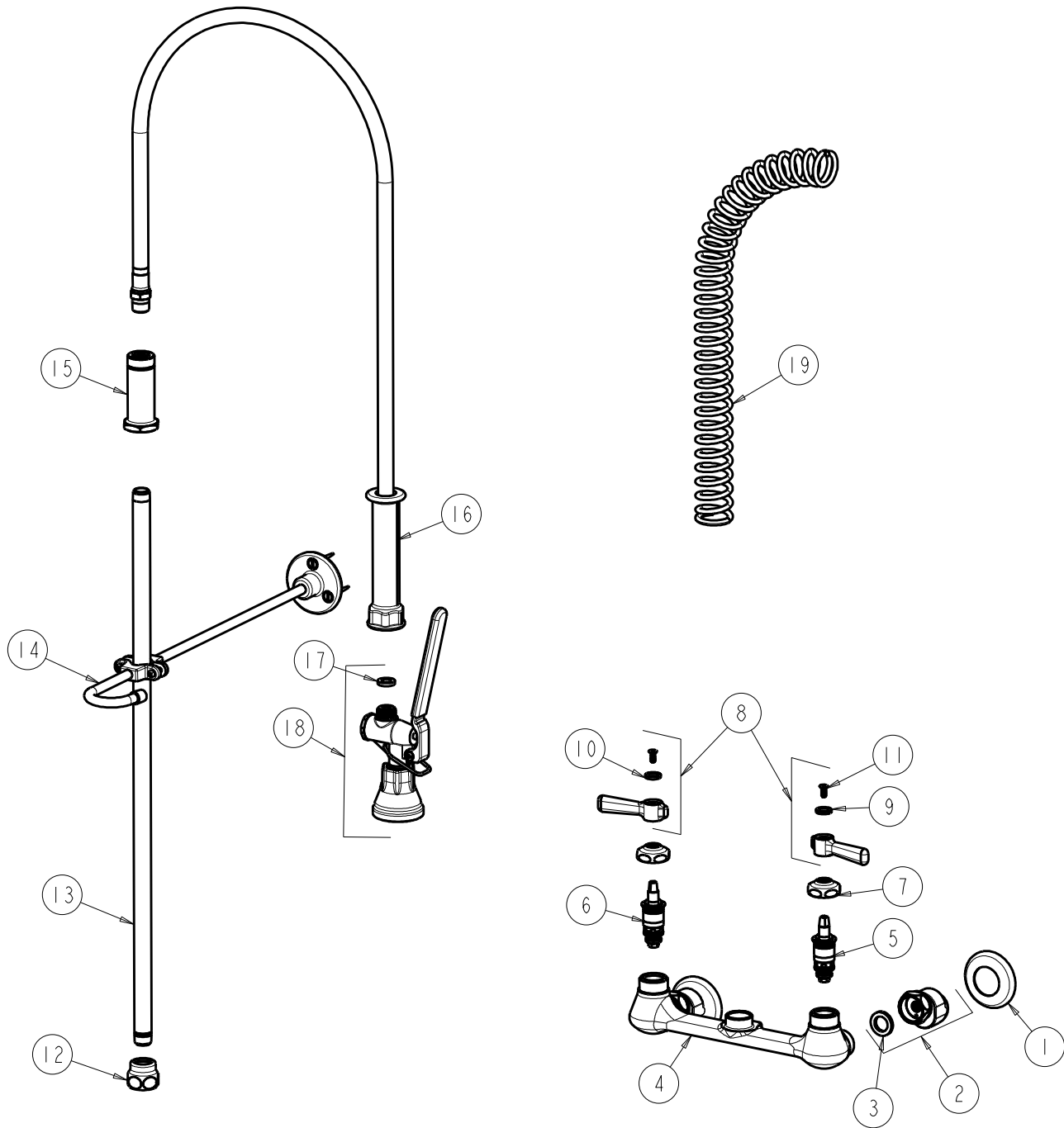
SUBMITTED MODEL NO.

ITEM NO.

BY: SID DATE: 12-19-13

CHK: *[Signature]* REV:

FOR TECHNICAL ASSISTANCE
1-800-TEC-TRUE (1-800-832-8783)



ITEM	PART NO.	DESCRIPTION	ITEM	PART NO.	DESCRIPTION
1	1-055JKCP	FLANGE	11	420-010JKRCF	SCREW, 10-32 UNC PH 1/2
2	GCJKABCP	ARM ASSEMBLY 'GC' WITH WASHER	12	BA2JKABCP	ADAPTER 3/8 NPT X 1 1/16-18 UNEF
3	1-011JKABNF	WASHER, .97 X .62 X .12	13	919-039JKABCP	3/8" NPT X 23" RISER
4	-----	VALVE BODY (NOT SOLD SEPARATELY)	14	902-MHJKCP	PIPE STRAP AND HOOK ASSEMBLY
5	1-099XTJKABNF	QUATURN CARTRIDGE (RH)	15	919-038JKABCP	GUIDE SHANK
6	1-100XTJKABNF	QUATURN CARTRIDGE (LH)	16	83-44ABNF	44" HOSE AND HANDLE ASSEMBLY
7	1-214JKCP	CAP	17	919-243JKABNF	GASKET, .685 X .375 X .125
8	369-PRJKCP	HANDLE, 2-3/8" LEVER (PAIR)	18	90-LABCP	PRE-RINSE VALVE, LOW FLOW
9	633-123JKNF	INDEX BUTTON (BLUE)	19	919-014JKCP	SPRING
10	633-023JKNF	INDEX BUTTON (RED)			