

CHICAGO FAUCETS
a Geberit company

2100 South Clearwater Drive
Des Plaines, IL 60018
Phone: 847-803-5000
Fax: 847-803-5454
www.chicagofaucets.com

REPAIR PARTS

FITTING NO.

510-GCLCP

SUBMITTED MODEL NO.

BY: JAR

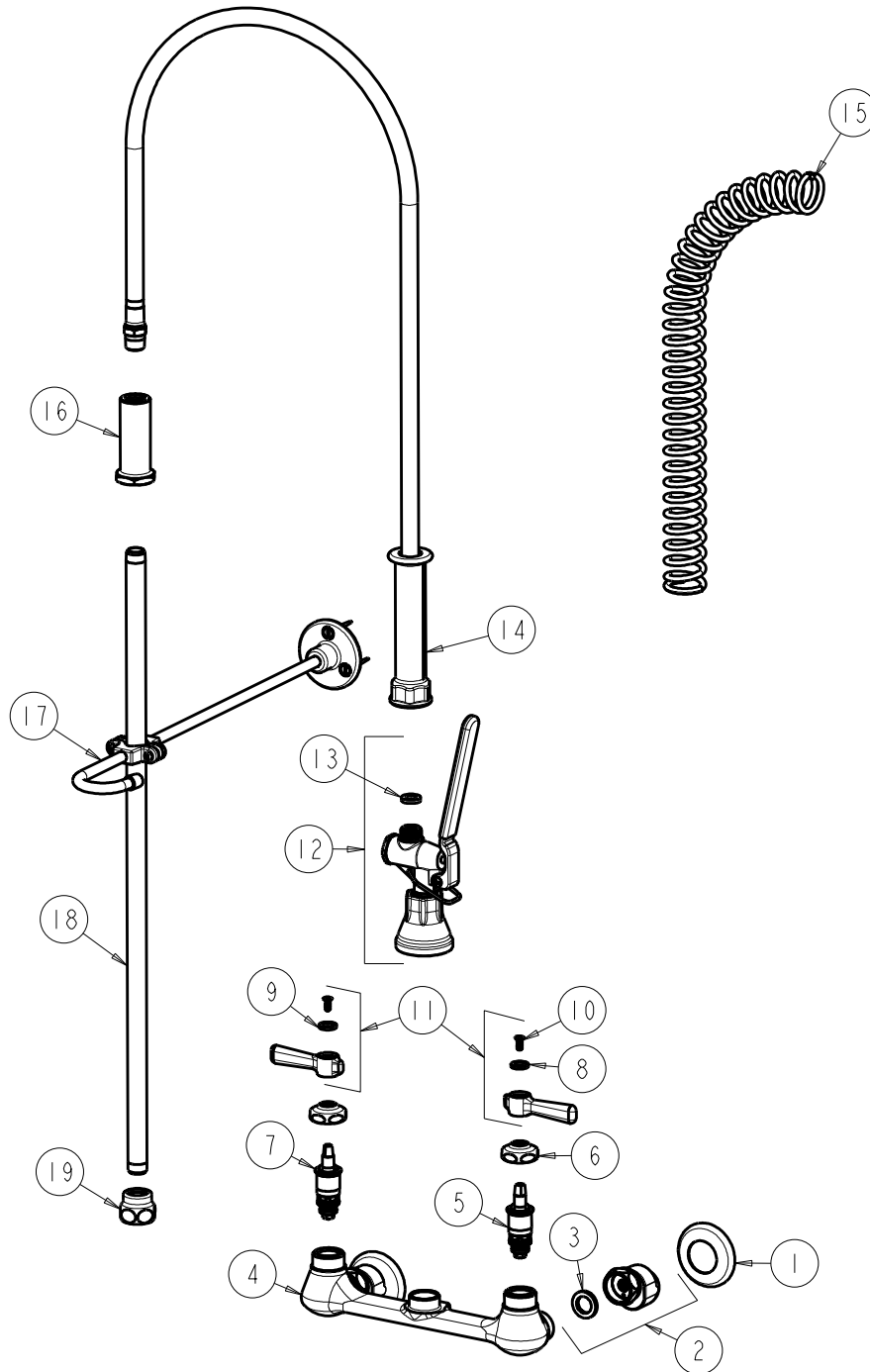
DATE: 08-15-05

CHK: *JAR*

REV: 11-18-11

ITEM NO.

FOR TECHNICAL ASSISTANCE
1-800-TEC-TRUE (1-800-832-8783)



ITEM	PART NO.	DESCRIPTION	ITEM	PART NO.	DESCRIPTION
1	1-055JKCP	FLANGE	11	369-PRJKCP	LEVER HANDLE ASSEMBLY (PAIR)
2	GCJKABCP	ARM ASSEMBLY 'GC' WITH WASHER	12	90-LABCP	PRE-RINSE VALVE, LOW FLOW
3	1-011JKNF	WASHER, .97 X .62 X .12	13	919-243JKNF	GASKET, .685 X .375 X .125
4	—	VALVE BODY (NOT SOLD SEPARATELY)	14	83-44NF	44" HOSE AND HANDLE ASSEMBLY
5	1-099XTJKNF	QUATURN CARTRIDGE (RH)	15	919-014JKCP	SPRING
6	1-214JKCP	CAP	16	919-038JKCP	GUIDE SHANK
7	1-100XTJKNF	QUATURN CARTRIDGE (LH)	17	902-MHJKCP	PIPE STRAP AND HOOK ASSEMBLY
8	633-123JKNF	INDEX BUTTON (BLUE)	18	919-039JKCP	3/8" NPT X 23" RISER
9	633-023JKNF	INDEX BUTTON (RED)	19	BA2JKCP	ADAPTER 3/8 NPT X 1 1/16-18 UNEF
10	420-010JKRCF	SCREW, 10-32 UNC PH 1/2			