

CHICAGO FAUCETS
a Geberit company

2100 South Clearwater Drive
Des Plaines, IL 60018
Phone: 847-803-5000
Fax: 847-803-5454
www.chicagofaucets.com

REPAIR PARTS

FITTING NO.

540-LDL15E35WXFAB

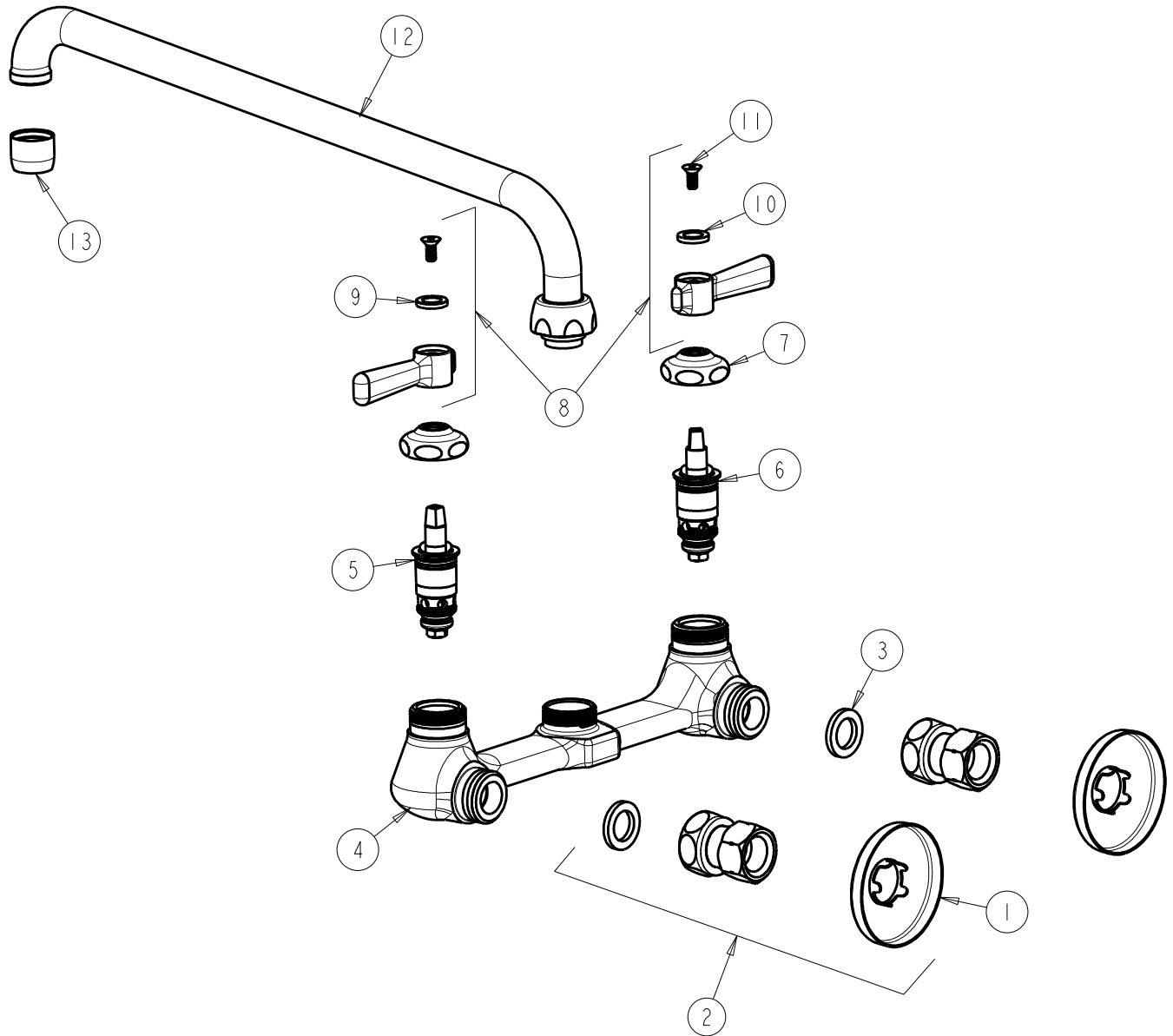
SUBMITTED MODEL NO.

ITEM NO.

BY: SID DATE: 11-01-19

CHK: *DA* REV:

FOR TECHNICAL ASSISTANCE
1-800-TEC-TRUE (1-800-832-8783)



ITEM	PART NO.	DESCRIPTION	ITEM	PART NO.	DESCRIPTION
1	749-016JKCP	FLANGE	8	369-PRJKCP	HANDLE, 2-3/8" LEVER (PAIR)
2	WXFJKABCP	ADAPTER, FLANGE & WASHER ASSY.	9	633-123JKNF	INDEX BUTTON (BLUE)
3	1-011JKABNF	WASHER, .97 X .62 X .12	10	633-023JKNF	INDEX BUTTON (RED)
4	-----	VALVE BODY (NOT SOLD SEPARATELY)	11	420-020JKNF	SCREW, 1/8 FLAT HEX HEAD X 1/2
5	1-099XTJKABNF	QUATURN CARTRIDGE (RH)	12	L15LEOJKABCP	SPOUT, 14" C-C
6	1-100XTJKABNF	QUATURN CARTRIDGE (LH)	13	E35JKABCP	OUTLET, AERATOR 1.5 GPM
7	1-214JKCP	CAP			