

CHICAGO FAUCETS
a Geberit company

2100 South Clearwater Drive
Des Plaines, IL 60018
Phone: 847-803-5000
Fax: 847-803-5454
www.chicagofaucets.com

REPAIR PARTS

BY: JAR DATE: 10-09-06
CHK: [Signature] REV: 05-17-11

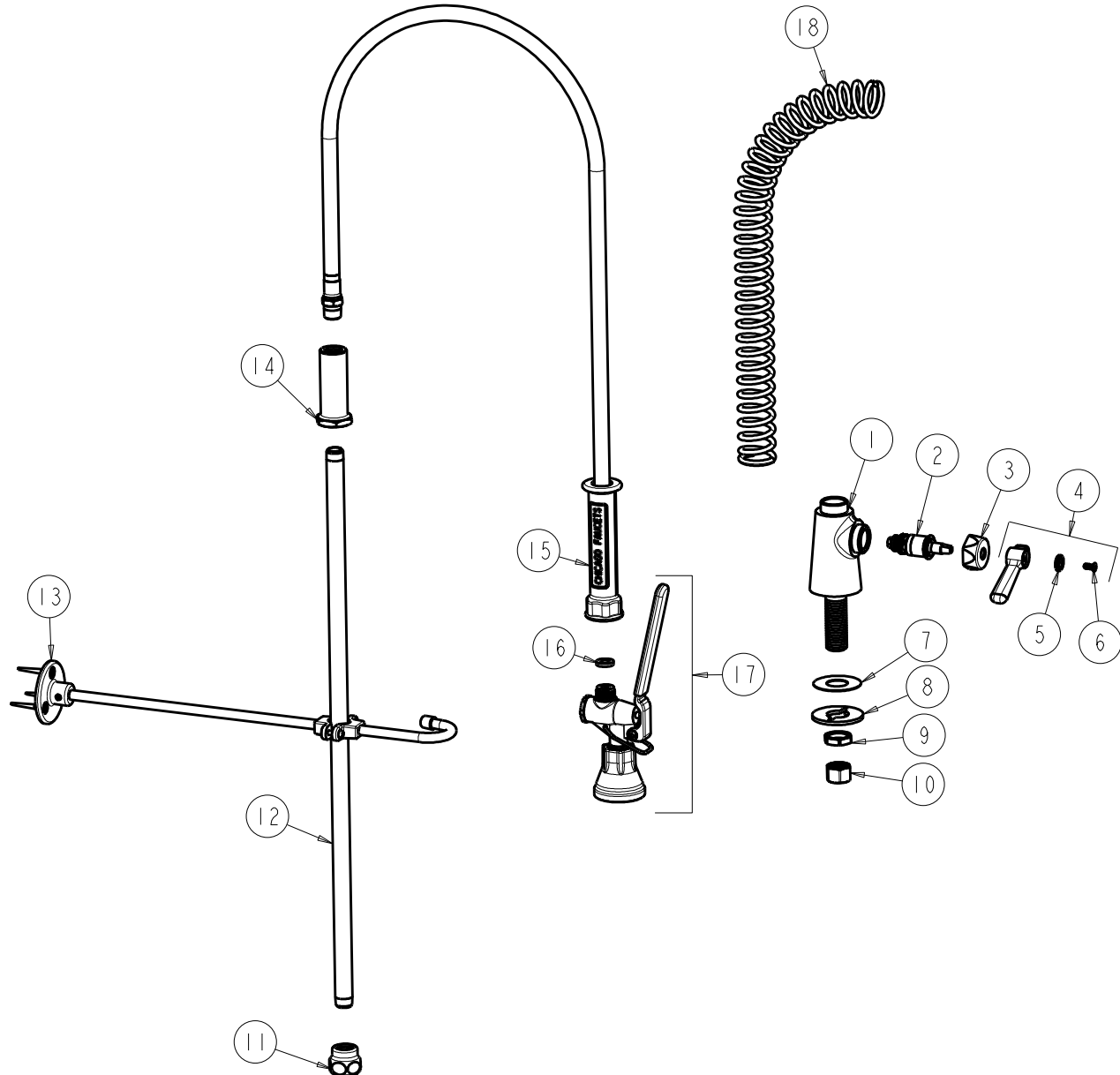
FITTING NO.

920-LCP

SUBMITTED MODEL NO.

ITEM NO.

FOR TECHNICAL ASSISTANCE
1-800-TEC-TRUE (1-800-832-8783)



ITEM	PART NO.	DESCRIPTION	ITEM	PART NO.	DESCRIPTION
1	---	BODY VALVE (NOT SOLD SEPARATELY)	10	49-005JKRBF	COUPLING NUT
2	1-099XTJKNF	QUATURN UNIT (RH)	11	BA2JKCP	ADAPTER 3/8 NPT X 1 1/16-18 UNEF
3	444-005JKCP	CAP	12	919-039JKCP	3/8" NPT X 23" RISER
4	369-PLJKCP	PLAIN LEVER HANDLE	13	902-MHJKCP	PIPE STRAP AND HOOK ASSEMBLY
5	633-223JKNF	INDEX BUTTON (WHITE)	14	919-038JKCP	GUIDE SHANK
6	420-010JKRCF	SCREW, 10-32 UNC PH 1/2	15	83-44NF	44" HOSE AND HANDLE ASSEMBLY
7	52-007JKNF	WASHER, RUBBER	16	919-243JKNF	GASKET, .685 X .375 X .125
8	807-112JKNF	WASHER	17	90-LABCP	PRE-RINSE VALVE, LOW FLOW
9	49-004JKRBF	LOCKNUT	18	919-014JKCP	SPRING